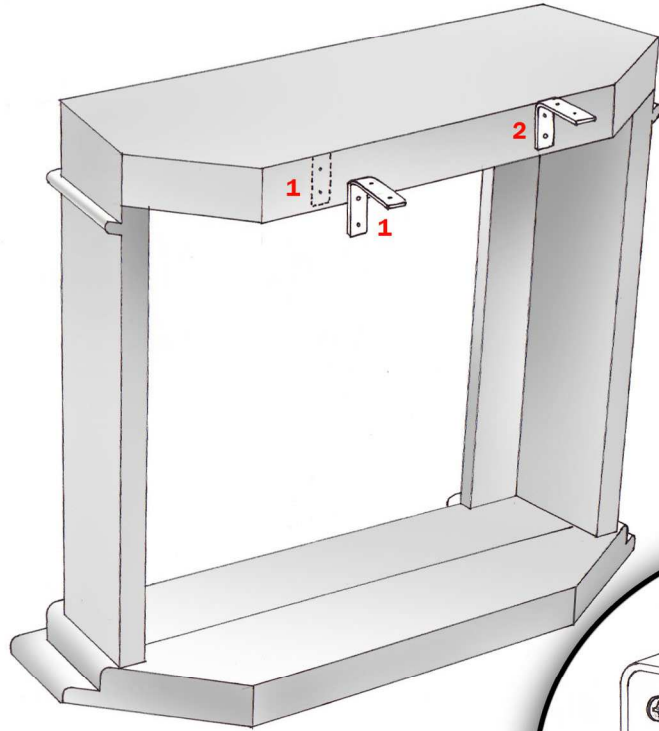
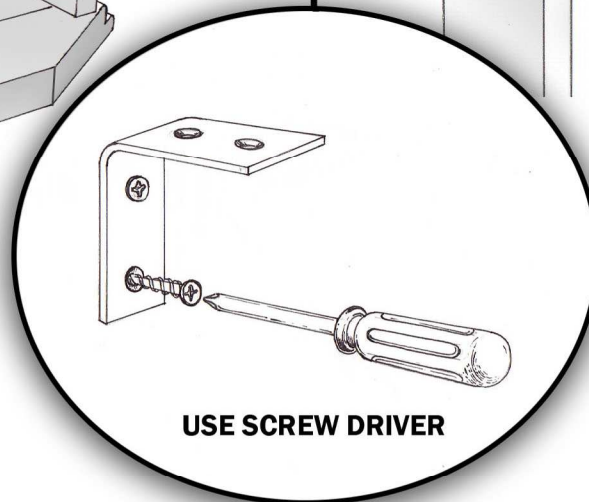
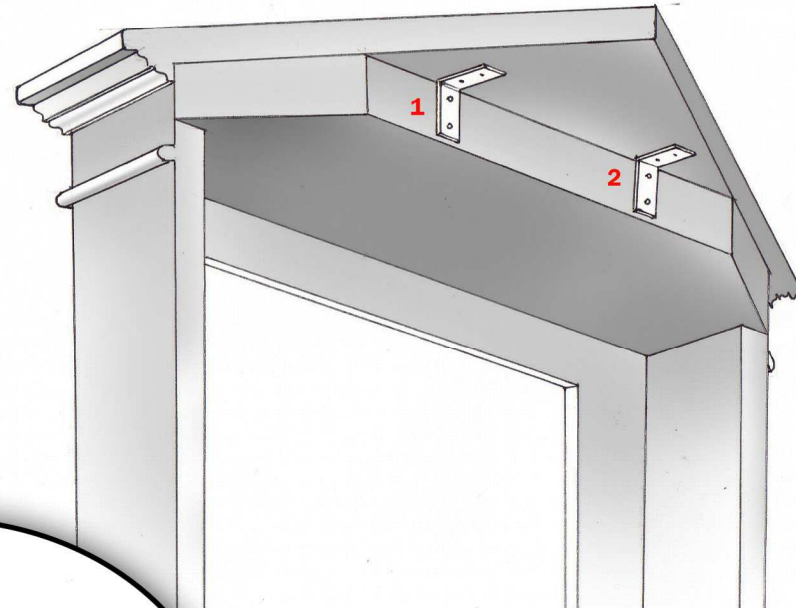


STEP 1



STEP 2



USE SCREW DRIVER

CADIZ CORNER FIREPLACE (*Top Installation*)