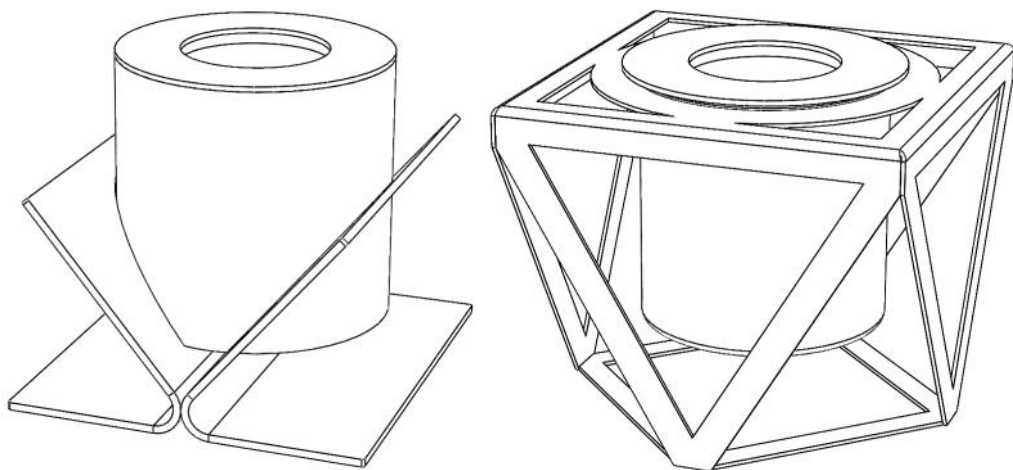


Tabletop Fireplaces



INSTRUCTIONS MANUAL

Kivo Tabletop / Alquimia Tabletop

glamm[®]
fire

ÍNDEX

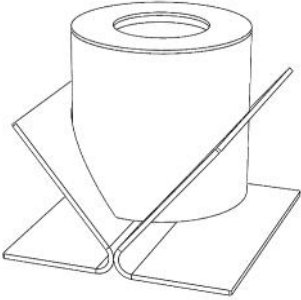
1—Material Supplied	4
2—Components	4
3—Safety Instructions	5
3.1—Ventilation	5
3.2—Cautions	5
4—Fuel	7
4.1—Bioetanol – The adequate fuel	7
5—Installation	8
5.1—Flammable material	8
5.2—Materials: stone/metal/ceramics	8
5.3—Other non-flammable materials	8
5.4—Installation Procedures	9
5.5—Filling	11
5.6—Lighting	11
5.7—Muting	11
6—Maintenance	13
7—Overall Dimensions	14
8—Especifications	14
9—After-Sales Service	14
10— Warranty	14

Please read this Instruction Manual carefully before using your decorative fireplace. It contains important operating and maintenance instructions, that should be followed correctly, in order to ensure a durable use of your decorative fireplace.

All presented cautions and warnings must be respected.
Keep this manual for future reference.

This Instruction Manual is subject to change without notice.

1—Material Supplied



1. Model;
2. Mug;
3. Funnel;
4. Lighter;
5. Snuffer;

1.



2.



3.

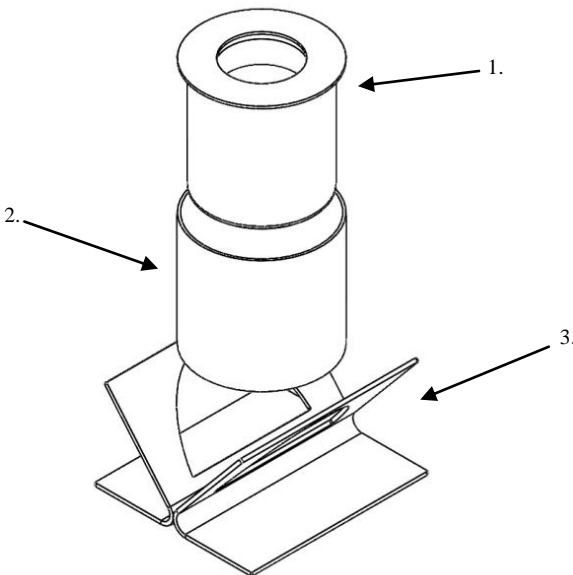


4.



5.

2—Components



1. Burner;
2. Metallic cup;
3. Model;

3—Safety Instructions

3.1—Ventilation

It is recommended that you keep a good ventilation of the area, in order to ensure a healthy level of oxygen.

Bioethanol combustion releases carbon dioxide (CO₂) and water (H₂O). The combustion requires oxygen, therefore the area where the fireplace is should have adequate ventilation with ventilation grids or other means, to allow air quality and circulation.

3.2—Cautions:

GlammFire is concerned about your safety, therefore we have taken all necessary consideration for conception, fabrication, assembly and transport, to ensure perfect functioning.

We therefore ask you to thoroughly follow our instructions for assembly, use and maintenance.

- Do not cover your decorative fireplace;
- Keep it away from flames, ignition sources, and flammable materials;
- Do not place the fireplace near windows or doors that can create drafts. These drafts may cause irregular functioning;
- Do not blow to the combustion fire line when igniting or during normal functioning of the fireplace;
- Keep a regular watch, during use of the fireplace;
- Keep children and animals away from the fireplace. Children do not recognize danger. Therefore make sure children are kept at a safe distance;
- Keep children watched when fireplace is working;
- The fireplace should not be exposed to direct sunlight or any heat source, as it may damage its materials;
- If you spill bioethanol onto the floor absorb it with a cloth, and then clean with a wet cloth, to avoid ignition outside the combustion fire line and stains on the floor;
- In case you spill bioethanol in the fireplace clean it immediately with a wet cloth, to avoid ignition outside the combustion fire line and damages to the finishing of the fireplace (paint, lacquers, leathers, amongst others);
- **Attention:** While working the fireplace may achieve very high temperatures. Therefore avoid touching it. Areas of potential contact with skin may cause burns;
- Do not fill the combustion fire line while hot, wait for it to cool down;
- Never pour bioethanol over the flame;
- After extinction of the flame wait approximately 5/10 minutes before handling the fireplace;
- In case of fire use a fire blanket;

- Do not use water to extinguish the fire;
- Do not use chemical products to clean the fireplace, as they may damage the materials. When in doubt contact an authorized dealer;
- After flame cutting may remain small residual flames at the point of fuel inlet for approximately 2 to 10 minutes. At the end of this time the flame will extinguish naturally;
- If bioethanol pours out during the process of filling up the tank, clean the tank and surrounding area, before using again;
- Decorative stones, wood or other accessories should not be placed directly on top of the burning area. Should you use decorative accessories make sure:
 - The accessories do not interfere with the flame;
 - Are only for decorating the fireplaces and combustion fires;
 - There is no risk of falling inside the combustion fire.

4—Fuel

4.1—Bioethanol – The adequate fuel

- Glammfire fireplaces are designed to work with quality bioethanol, fully tested. Only this fuel ensures clean and efficient combustion. Fuel with less or inappropriate quality may lead to:
 - Higher probability of malfunction;
 - Reduction in durability of the system;
 - Incomplete and inefficient combustion;
 - Smoke and odours;
 - Residues inside the combustion fire line.
- Bioethanol is internationally recognized as being the major source of renewable energy, 100% ecological and environmentally friendly. It is made from fermentation and distillation of sugars from plants, such as sugar cane, potato, beetroot and cereals;
- The use of bioethanol guarantees a reduction of 85% in CO2 emissions, therefore contributing for the reduction of global warming;
- Use only liquid bioethanol as fuel. Only bioethanol will make a clean and perfect combustion;
- Keep bioethanol away from children and animals, as well as from a working fireplace;
- Avoid contact with eyes and skin;
- Do not drink bioethanol. In case you do go to the nearest hospital;
- Bioethanol should be kept at a minimum distance of 1 m from the fireplace;
- Do not place bioethanol in front of the fireplace;
- For security reasons bioethanol should be stored at a room temperature of approximately 20 °C.
- **Use only liquid bioethanol, recommended by GlammFire.**

5—Installation

5.1—Flammable materials

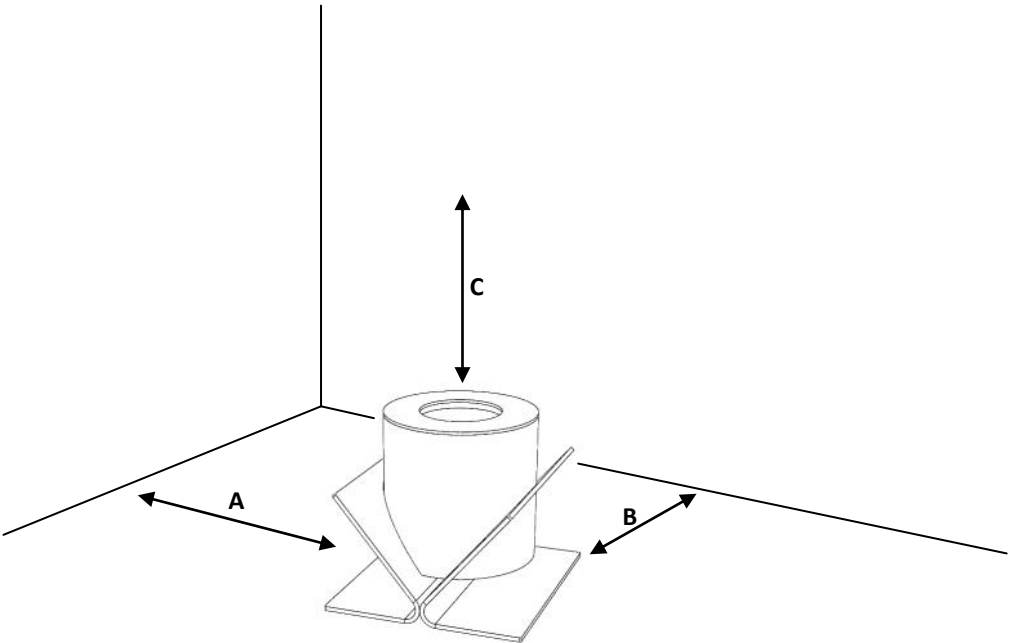
- Do not place flammable materials around the fireplace, under a 200 mm space, and keep a special care when placing flammable materials around the fireplace;
- Racks or shelves should be distant 1m from the fireplace;

5.2—Materials: stone/metal/ceramics

- A - 100 mm;
- B - 100 mm;
- C - 500 mm;

5.3—Other non-flammable materials

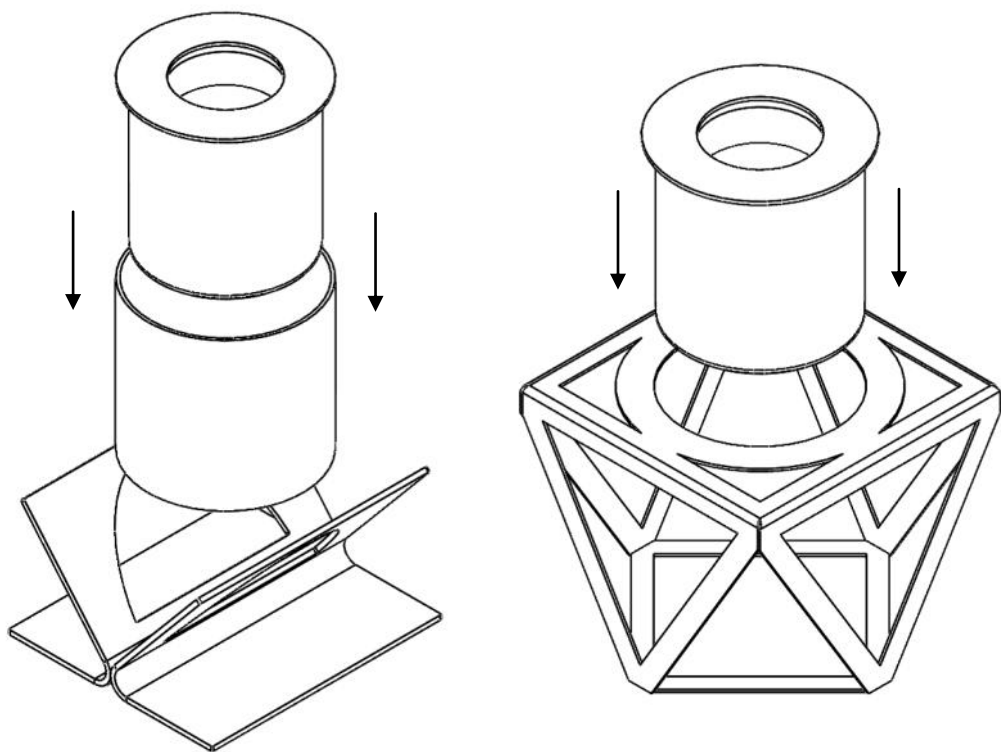
- A - 200 mm;
- B - 200 mm;
- C - 600 mm;



5.4—Installation Procedure

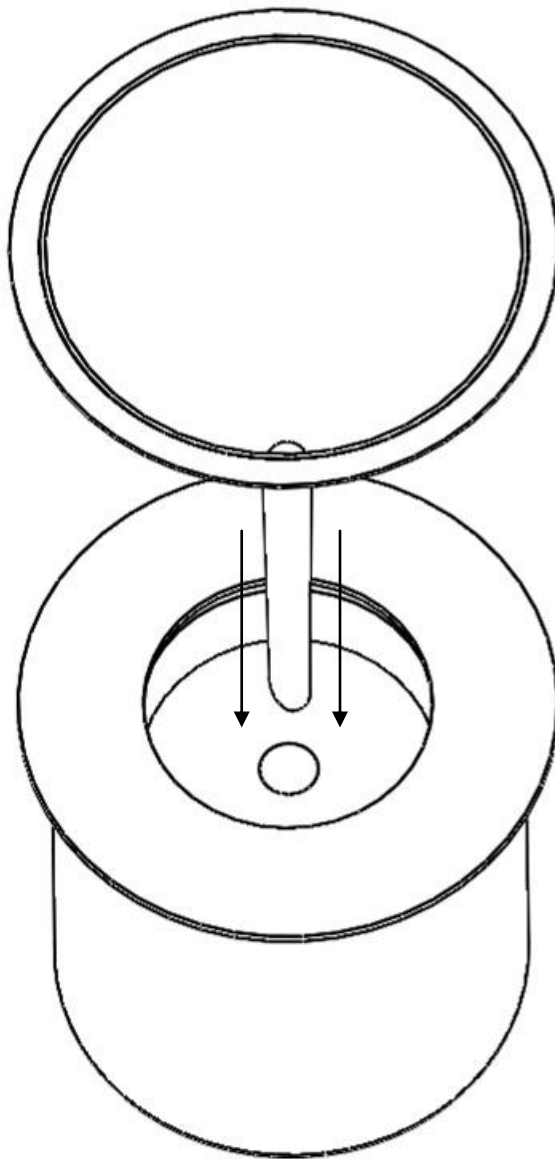
Assemble the fireplace as shown in the image below.

Note: The surface where to install the fireplace should be as level as possible;



5.5—Filling

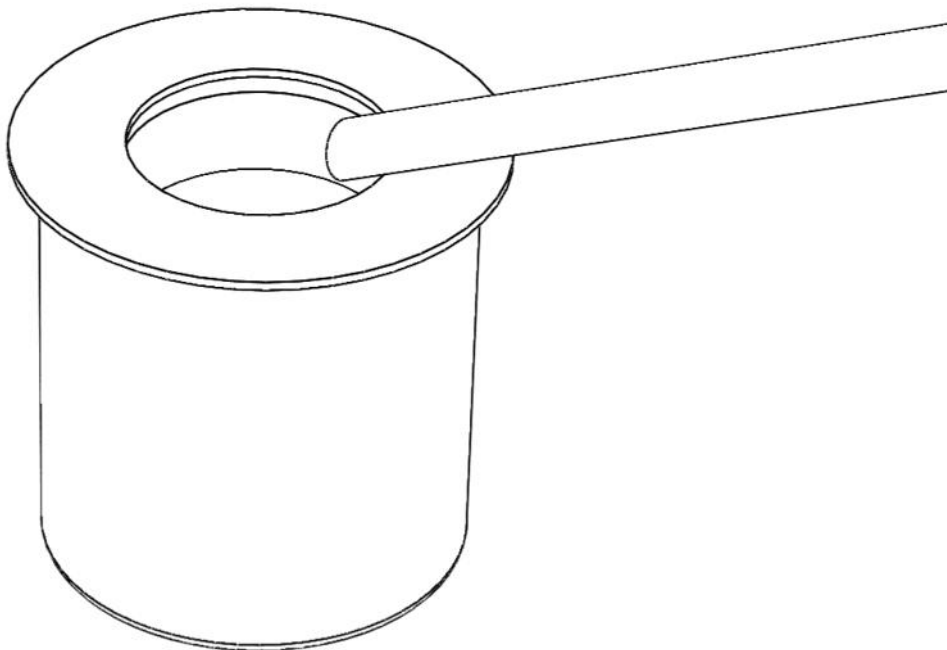
Place the funnel provided in the ceramic hole, inside the burner and fill it with a maximum of 400ml of Bioethanol recommended by GlammFire.



5.6—Lighting

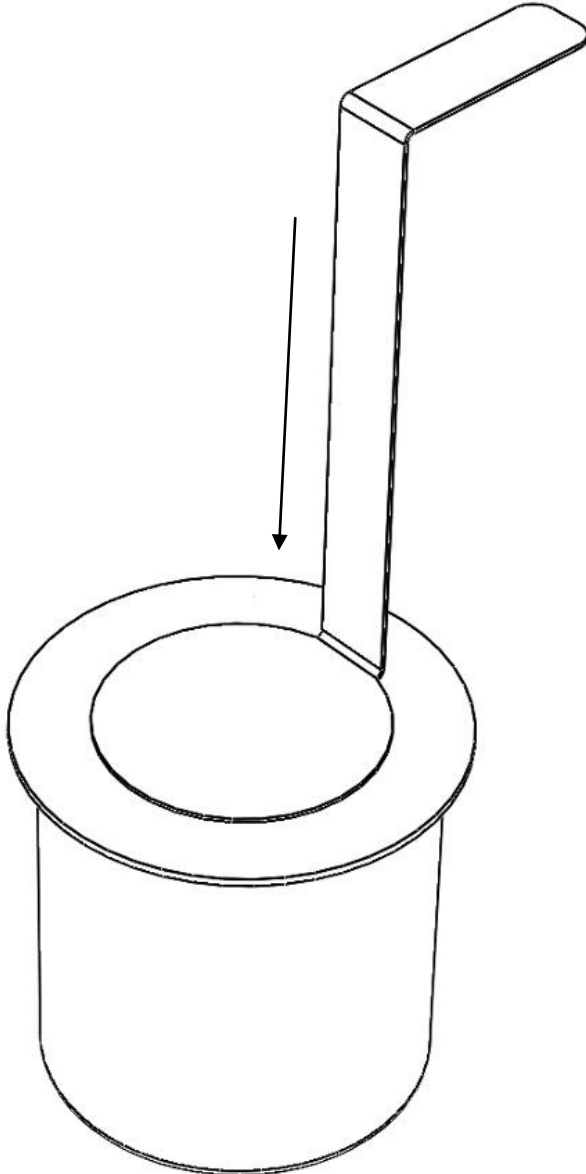
Place the lighter provided near the burning zone and light it up.

Do not perform this procedure with the lighter in a fully vertical position, in order to prevent possible burns.



5.7—Muting

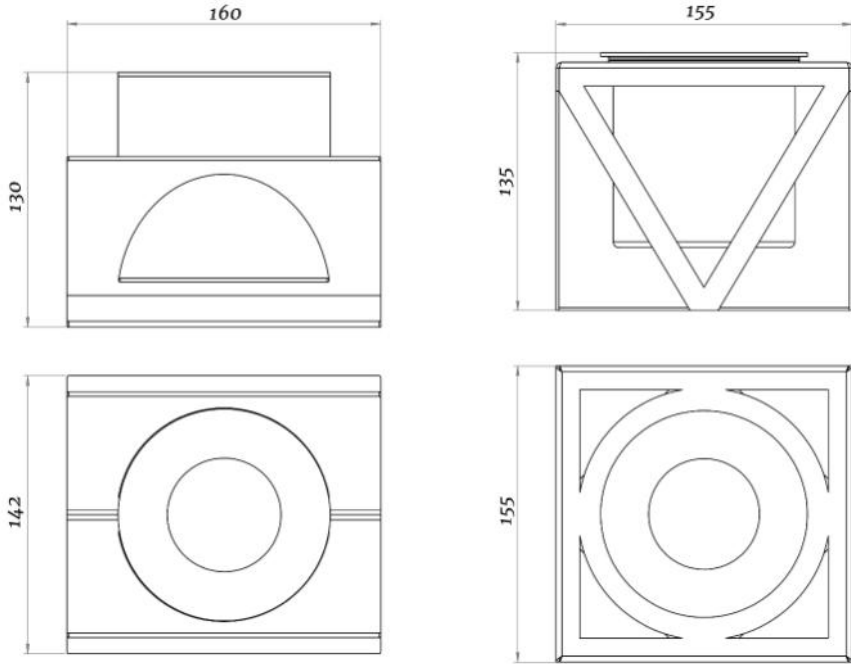
For extinguish the flame, use the supplied snuffer, place it over the burner in order to cover the entire area of the burning, for approximately 5 seconds.



6—Maintenance

- The burner should be cleaned regularly, with a wet cloth.
- The more persistent marks can be removed using a soft cloth moistened in bioethanol;
- Never use chemicals not suitable for cleaning stainless steel;
- Do not use steel-wool or abrasive sponges. The surface can be scratched by them;
- The manufacturer is not liable for any damage arising from misuse and/or fraudulent of the product. The manufacturer also can not be blamed for the failure to observe the cleaning or application instructions and/ or use of any other cleaning techniques;
- **Note:** Failure to follow the above rules eliminates any factory warranty on all models or fireplaces, losing the customer the right to require repair under warranty.

7—Overall Dimensions



8—Specifications

Materials// stainless steel, lacquered steel
Burner// 400 ml (liquid bioethanol)
Weight// Kivo—2,5 kg / Alquimia—1,3 kg
Autonomy// 3:00 hours

9—After-Sales Service

In case of doubt or any anomaly, do not use the fireplace and please contact a specialized technician.

10— Warranty

All our Bioethanol Fireplaces and Burners, Electric Fireplaces, Fire Pits & Barbecues carry a warranty against defects of manufacture and faulty workmanship for a period of 2 years from the date of purchase.

This warranty does not cover glass replacement, batteries, whose lifespan, regrettably, we cannot predict, damage caused by accident or misuse of the appliance, or the assembly/disassembly not indicated in the instruction manuals. If the product fails during normal and proper use (not considering the above mentioned events) within the warranty period, GlammFire will replace the product free of charge.

Our warranty is offered as an addition to your statutory rights. It is applicable to the original purchaser only, non-transferable. All repairs must only be fitted by an authorised service technician. Use of spare parts other than those supplied by the manufacturer will invalidate the appliance warranty and must only be fitted by an authorised service technician.

Equipment	Guarantee beneficiary
Version	Address
Controller	Tel.
	Availability date
	Local.....Date.....
	Signature

Series and Guarantee numbers

Distributor code

Name and Address of the Distributor
--

The GlammFire is always concerned with the environment. This is reflected when the projection of their products and their packaging. Focusing on the reduction of energy consumption, raw materials, natural resources and quantity of waste generated, GlammFire follows the policy of the 4R's (Reduce, Reuse, Recycle and Recover). Thus GlammFire have in mind the use of long lasting products as well as reusable and recyclable products.

The GlammFire recommend reusing the packaging GlammFire separately and deposit plastic, paper, cardboard and glass in the appropriate collection point.

"In nature nothing is created, nothing is lost, everything is transformed."
 Antoine Laurent de Lavoisier

GlammFire fireplaces are manufactured under the strict Standard of the world recognized ISO 9001:2008 Quality Assurance Certificate.

GlammFire products are designed with superior components and materials, assembled by trained craftsmen who take great pride in their work.

Once assembled the complete fireplace is thoroughly inspected by a qualified technician before packaging to ensure that you, the customer, receive the quality product that you expect from GlammFire.

glamm[®]
fire

Recuperadores Pachinha Lda.
Zona Industrial da Lagoa, Lote G1
4950-850 CORTES - MONÇÃO PORTUGAL
Tel(+351) 251 654 800
Fax(+351) 251 654 801
info@glammfire.com
www.glammfire.com

