



Instructions Manual

Intermezzo

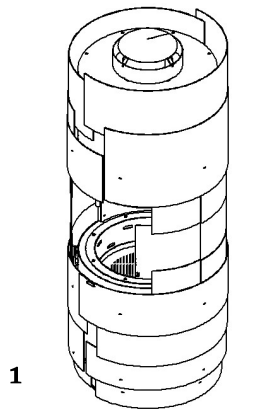
Thank you for purchasing a GlammFire product.
To activate your GlammFire 2 years warranty, please register your product at www.glammfire.com/about/guarantee or complete your warranty card and send it to us, along with a purchase copy, to our address within 30 days after the purchase.
For more information check the Warranty chapter.

INDEX

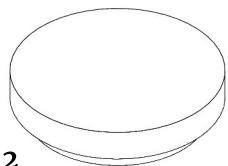
- 1. Supplied Material**
- 2. Components**
- 3. Safety Instructions**
- 4. Fuel**
- 5. Installation**
- 6. Maintenance**
- 7- Overall Dimensions**
- 8. Specifications**
- 9. After-sale service**
- 10- Warranty**

Material Fornecido

- 1—Intermezzo
- 2—Cover
- 3—Handle
- 4—2x handles
- 5—Protection cover
- 6—Vacuum cleaner
- 7—Grill
- 8—Saucy stray



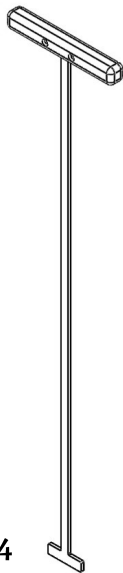
1



2



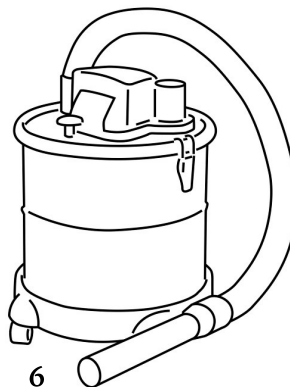
3



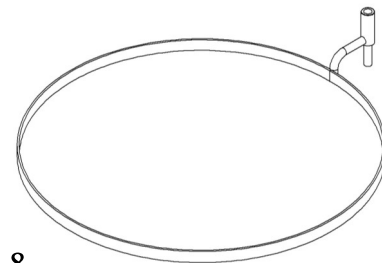
4



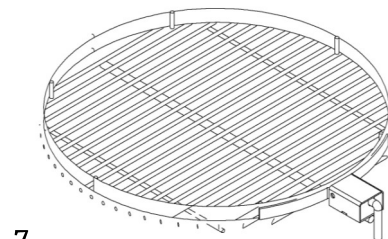
5



6



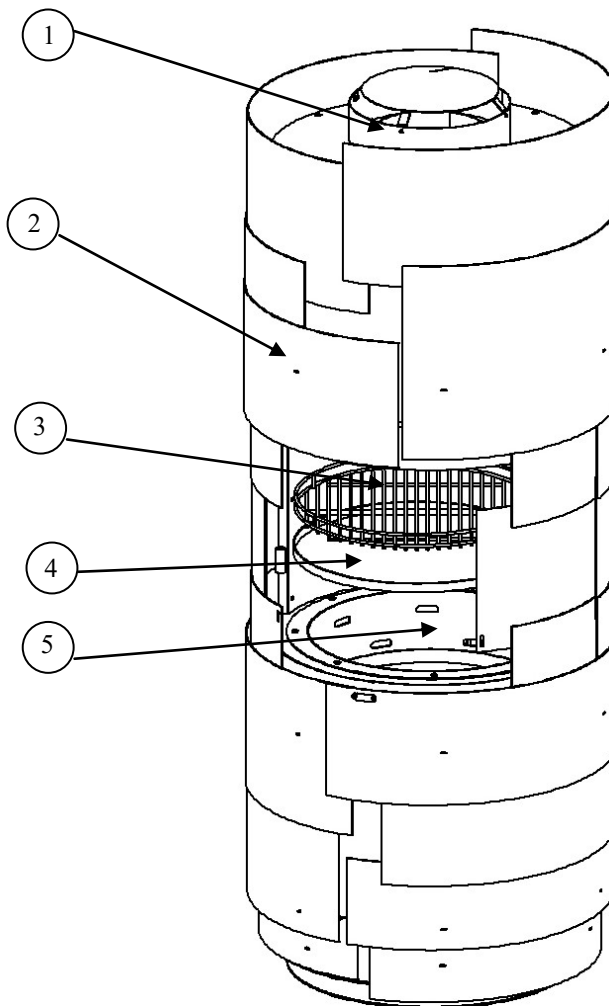
8



7

2. Components

- 1- Top cover
- 2- Body
- 3- Grill
- 4- Saucy stray
- 5- Combustion zone



3—Safety Instructions

Ventilation

It is recommended that you keep a good ventilation of the area, in order to ensure a healthy level of oxygen. Ensure the device is only used outdoors.

3.2—Special precautions:

GlammFire is concerned about your safety, therefore we have taken all necessary consideration for conception, fabrication, assembly and transport, to ensure perfect function-ing.

We therefore ask you to thoroughly follow our instructions for assembly, use and maintenance.

While the Barbecue is on keep it under supervision;

Keep children and animals away from the Barbecue. Children do not recognize danger. Therefore make sure children are kept at a safe distance; Keep children under surveil-lance while the device is on;

DON'T use the barbecue for indoors heating. Carbon monoxide fumes are toxic and may cause asphyxiation;

Make sure the barbecue is installed on a levelled and fire-proof surface;

Before using the barbecue make sure every part is correctly installed and accordingly tight;

The barbecue is not a device for commercial use;

The barbecue should NOT be used on boats or other vehicles;

Always pay attention to local, state and national legislation when using the GlammFire barbecue. Contact local fire depart-ment for details on this type of device usage;

Attention: While functioning the GlammFire barbecue may reach extremely high temperatures, on combustion zone and it's surrounding perimeter. Do NOT touch it. Poten-tial contact areas with skin may cause severe burns;

In case of fire use a fire blanket;

Do NOT use water to extinguish the flame;

Do NOT use chemicals to clean the barbecue, they might damage the materials. In case of doubt contact the retailer;

Do NOT try to move the device while it's on;

Do NOT use loose or flammable clothing while using the GlammFire barbecue, this situation might be dangerous to the user;

Do NOT use the GlammFire barbecue under dangerous circumstances;

Do NOT store or use gasoline or any other flammable vapours or liquids near the GlammFire barbecue;

Do NOT use the GlammFire barbecue near automobiles, trucks, recreational vehicles or any other sort of vehicle;

NEVER ignite the barbecue with gasoline or any other flammable liquid;

Make sure the GlammFire barbecue cools down completely before proceeding to it's cleaning;

Only use certified firelights for flame ignition;

It is totally unadvised the utilization of the GlammFire barbecue after or during the ingestion of alcoholic beverages or medication that might harm the user's visual or intel-lectual capacity;

Always use appropriate tools to handle (add or move) wood and embers;

Do NOT add flammable material in excess, only use the advised in the utilization chapter;

While igniting and even during the functioning of the GlammFire barbecue never lean over the combustion zone;

The GlammFire barbecue must be regularly thoroughly inspected and clean. Read the maintenance chapter of this manual;

After a period of storage and/or non-usage check the conditions of the GlammFire barbecue and don't use it until confirmation that it is clean and in perfect use conditions.

4—Fuel

Fire Pits

The right fuel: **Charcoal**

The Intermezzo barbecue with charcoal grill option is designed to work with wood coal other fuels are not recommended. It's unadvised the utilization of other flammable fuels;

Note: Do NOT burn newspapers, cardboard, magazines, etc. A barbecue is not an incinerator.

5. Installation

Flammable materials

Do NOT place flammable materials near the barbecue within 5 meter radius;

Trees and bushes as well as any other kind of vegetation should be at a 10 meters distance from the combustion zone.

—Materials: stone/metal/ceramics

A - 1000 mm;

B - 1500 mm;

C - 0 mm;

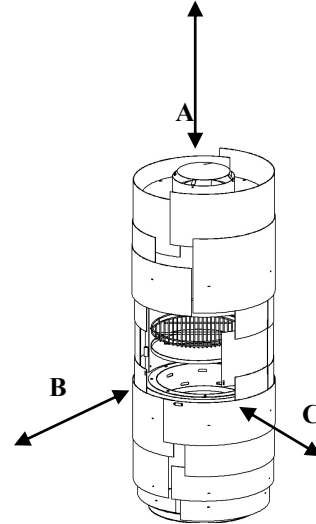
D - 500 mm;

—Other non-flammable materials

A - 1500 mm;

B - 1000 mm;

C - 1000mm;



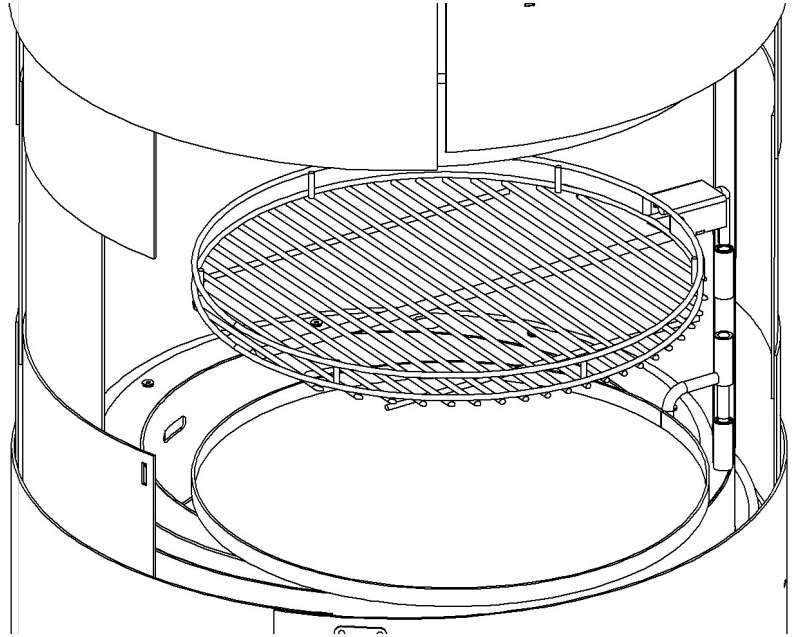
Installation Procedures

The barbecue should be carefully unpacked, two people are needed (minimum) for the assembly;

To install this model you must initially choose a place where you want the model to be installed first unpack and remove all the parts that go inside the opening: the ash vacuum cleaner, the grill and the saucy-stray.

After the shedding of all the pieces inside the model, the grid and the saucy-stray should be placed.

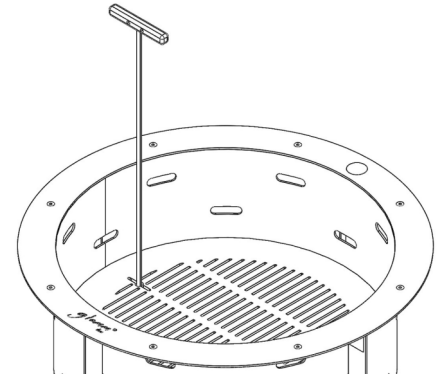
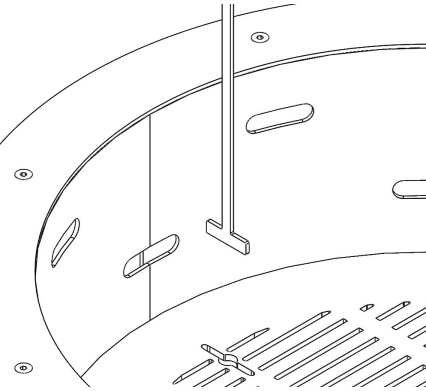
To place the saucepan and grill, use the inserts that the same ones bring and fit in the model as the illustration shows and slide down and it's ready for use.



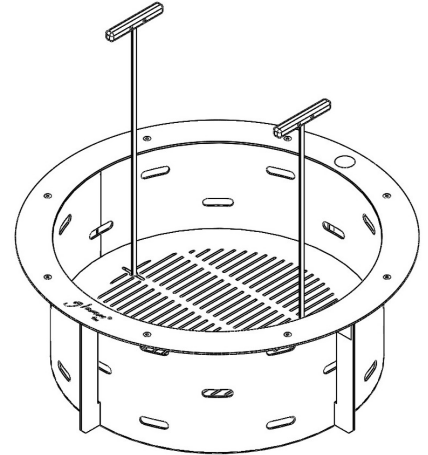
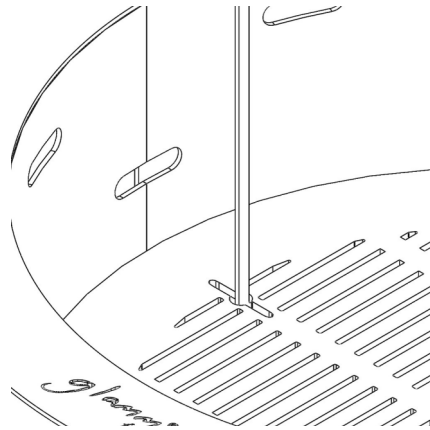
Remove the ashes

To remove the ashes use the two handles, that are provided in.
Insert the handle into the respective orifice of the fuel compartment.

Then rotate the handle at 90 degrees.

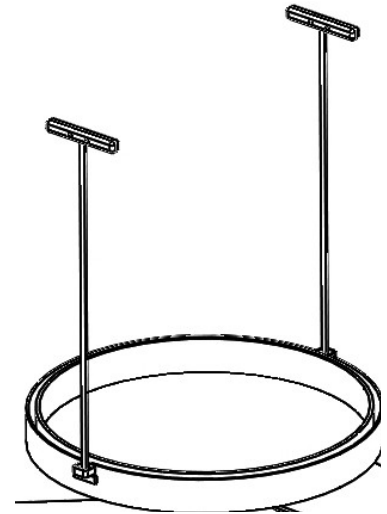
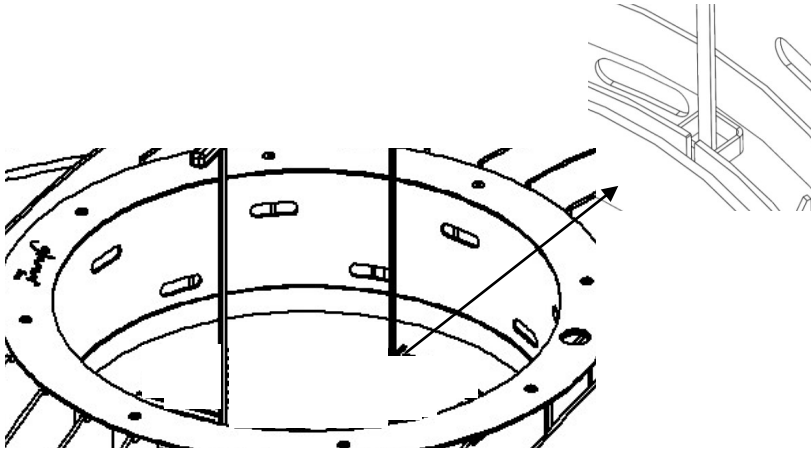


Until the handles is in a crosswise position
Follow the same procedura for the other handle,
And remove the base of the combustion zone,
Pulling on the two handles at the same time.



Installation Procedures

Put the handles on the fittings, as shown,
Fitting on the opening that is shown.
Remove the astray pulling both handles at same time.
After removing the ashes, put the base that was
Previously removed back.



6. Maintenance

Cleaning must be carried out with each use of the barbecue with wood or charcoal. Residues resulting from burning must be removed so that each use of the combustion is perfect.

In gas barbecues their cleaning must be carried out regularly for the same reason described above. Since there is no residues resulting from the combustion, the burner should be cleaned preferably with a cloth moistened with water or with non-chemical products suitable for stainless steel cleaning.

Never use chemicals not suitable for cleaning stainless steel;

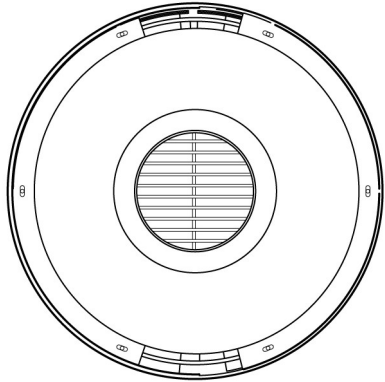
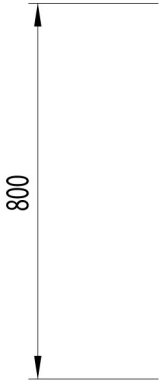
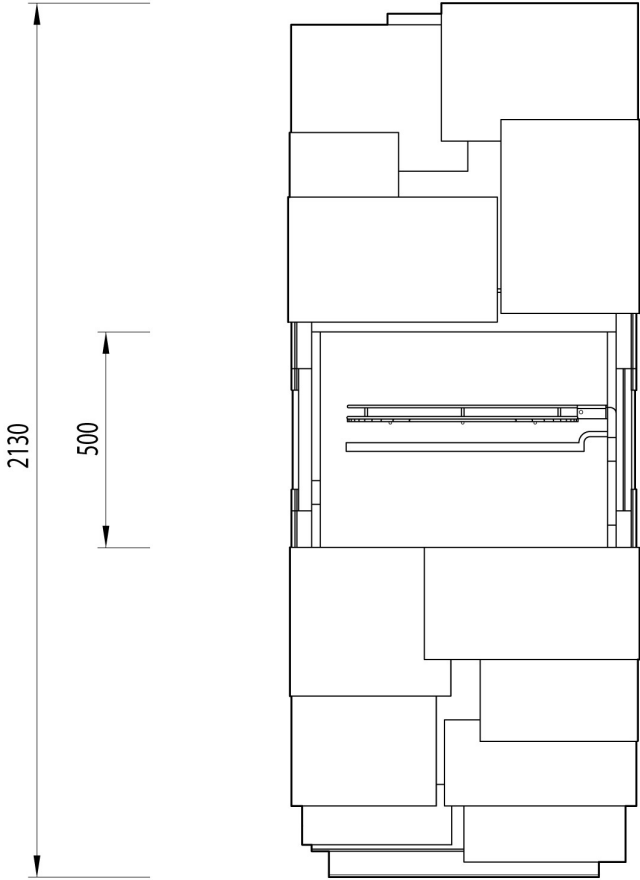
Do not use steel wool or abrasive sponges. The surface can be scratched by these;

For food preparation utensils, they should be cleaned after each use with neutral PH detergents and then thoroughly rinsed in order to avoid any residue.

GammFire cannot be held responsible for any damages resulting from incorrect and / or fraudulent use of the product. GammFire cannot also be held liable for failure to observe the instructions for cleaning or applying and / or using any other cleaning techniques;

Note: Failure to comply with the above rules will void any factory warranty on all fire pits or barbecues, with the customer losing the right to require repair under warranty.

7. Overall Dimensions



9. After Sales Service

In case of doubt or any anomaly, do not use the fireplace and please contact a specialized technician.

10. Warranty

In order to activate your GlammFire 2 year warranty, please register your new GlammFire product at www.glammfire.com/en/about/warranty or complete your warranty card and return it to us, along with a copy of the proof of purchase, at our address within 30 days of purchase.

All our Bioethanol Fireplaces and Burners, Electric Fireplaces, Fire Pits & Barbecues carry a warranty against defects of manufacture and faulty workmanship for a period of 2 years from the date of purchase.

This warranty does not cover glass replacement, batteries, whose lifespan, regretfully, we cannot predict, damage caused by accident or misuse of the appliance, or the assembly/disassembly not indicated in the instruction manuals. If the product fails during normal and proper use (not considering the above mentioned events) within the warranty period, GlammFire will replace the product free of charge.

Our warranty is offered as an addition to your statutory rights. It is applicable to the original purchaser only, non-transferable. All repairs must only be fitted by an authorised service technician. Use of spare parts other than those supplied by the manufacturer will invalidate the appliance warranty and must only be fitted by an authorised service technician.

IMPORTANT: Registering your product does not require proof of purchase, if it will be made on our website, and must be based on the date of purchase. It will be assumed that registration information accurately reflects the information on the proof of purchase which will be required upon servicing of any/all products under warranty.

GlammFire fireplaces are manufactured under the strict Standard of the world recognized ISO 9001:2008 Quality Assurance Certificate. GlammFire products are designed with superior components and materials, assembled by trained craftsmen who take great pride in their work.

Once assembled the complete fireplace is thoroughly inspected by a qualified technician before packaging to ensure that you, the customer, receive the quality product that you expect from GlammFire.

The GlammFire is always concerned with the environment. This is reflected when the projection of their products and their packaging. Focusing on the reduction of energy consumption, raw materials, natural resources and quantity of waste generated, GlammFire follows the policy of the 4R's (Reduce, Reuse, Recycle and Recover). Thus GlammFire have in mind the use of long lasting products as well as reusable and recyclable products.

The GlammFire recommend reusing the packaging GlammFire separately and deposit plastic, paper, cardboard and glass in the appropriate collection point.

"In nature nothing is created, nothing is lost, everything is transformed."

Antoine Laurent de Lavoisier

glamm[®]
fire



GlammFire
Recuperadores Pachinha, Lda.
Zona Industrial da Lagoa, Lote G1
4950-850 Monção
Portugal

info@glammfire.com

T. +351 251 654 800 | F. +351 251 654 801

www.glammfire.com



/ glammfire