

# OBLIQUE Tabletop double

## TABLETOPS



The Oblique Tabletop Double incorporates two burners on its ramp, doubling the refinement and giving even more class to your home. The contemporaneity of its lines brings a renewed soul to every table and creates unforgettable moments. To complement its essence, it can be used with the Oblique Tabletop Single model.

Double the fire, the passion and the elegance, everything in one unique piece.

### GlammFire

Recuperadores Pachinha Lda.  
Zona Industrial da Lagoa, Lote G1  
4950-850 CORTES - MONÇÃO  
PORTUGAL

Tel(+351) 251 654 800  
Fax(+351) 251 654 801  
info@glammfire.com  
www.glammfire.com

*glamm*<sup>®</sup>  
fire

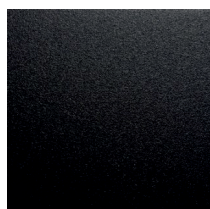
# OBLIQUE Tabletop double

## TABLETOPS

### Technical characteristics

**Materials**  
Lacquered steel, stainless steel  
**Burner**  
400 ml ( liquid bioethanol)  
**Weight**  
4,5 Kg  
**Autonomy**  
3:00 hours

### Finishings



Lacquered steel



Brushed stainless steel

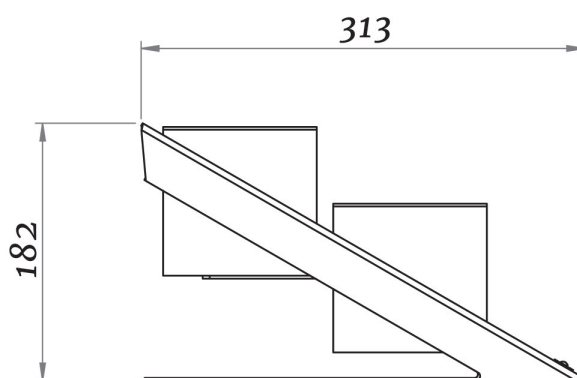


Gold

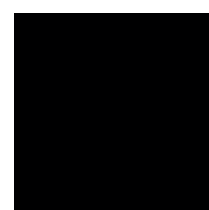


Rusted corten steel

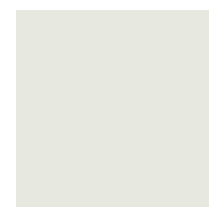
### General dimensions



### Colours



RAL 9005



RAL 9003

### GlammFire

Recuperadores Pachinha Lda.  
Zona Industrial da Lagoa, Lote G1  
4950-850 CORTES - MONÇÃO  
PORTUGAL

Tel(+351) 251 654 800  
Fax(+351) 251 654 801  
info@glammfire.com  
www.glammfire.com

PT12401-A

*glamm*  
fire