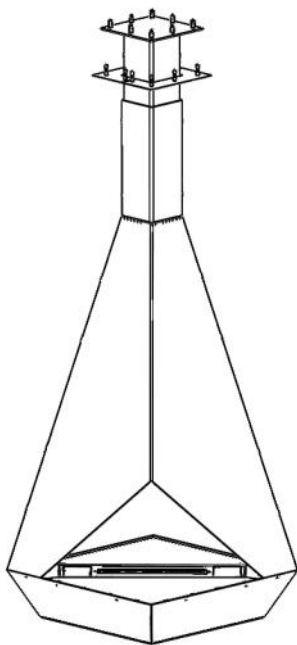


# Crea7ion Plus



INSTRUCTIONS MANUAL

EUDOXUS

*glamm*<sup>®</sup>  
fire

Thank you for purchasing a GlammFire product.

In order to activate your 2-year GlammFire warranty, please register your GlammFire product at [www.GlammFire.com/pt/sobre/garantia](http://www.GlammFire.com/pt/sobre/garantia) or complete your warranty card and send it to us along with a purchase copy, to our address, within 30 days after the purchase.

For more information please check the *Warranty* chapter.

**INDEX**

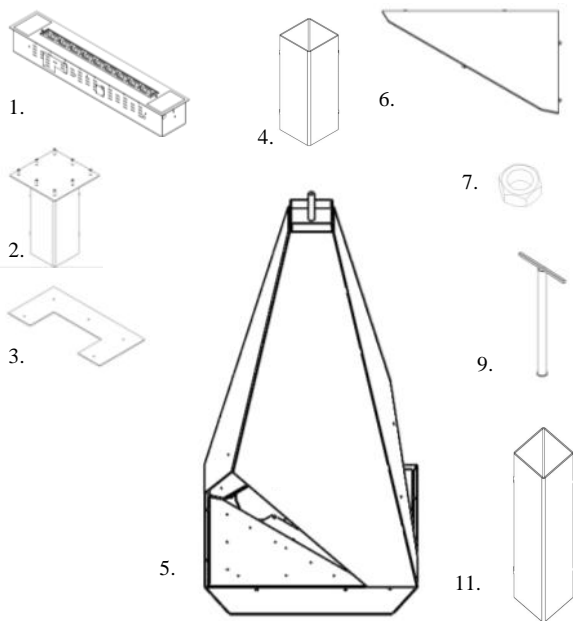
1—Material Supplied	4
2—Components	4
3—Safety Instructions	5
3.1—Ventilation	5
3.2—Cautions	5
4—Fuel	7
4.1—Bioethanol – The adequate fuel	7
5—Installation	8
5.1—Flammable material	8
5.2—Materials: stone/metal/ceramics	8
6—Installation Procedures	9
7—Extension of tube (option)	16
8—Maintenance	17
9—Overall Dimensions	17
10—After-Sales Service	18
11—Warranty	18

Please read this Instructions Manual carefully before using your decorative fireplace. It contains important operating and maintenance instructions, that should be followed correctly in order to ensure a durable use of your decorative fireplace.

All presented cautions and warnings must be respected.  
Keep this manual for future reference.

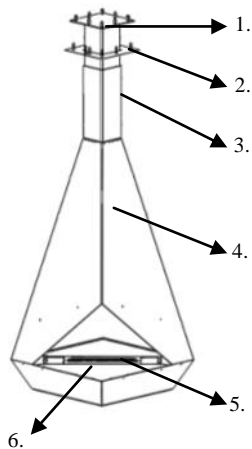
This Instructions Manual is subject to change without notice.

## 1—Material Supplied



1. 1x Burner EvoPlus 400;
2. 1x Ceiling fixing tube;
3. 2x Finishing mirrors;
4. 1x Square fitting tube;
5. 1x Fireplace body;
6. 1x Front decorative;
7. 2x Nuts;
8. 1x Tightening wrench;
9. Bolts;
10. Screws+bushings;
11. Extension of tube (option);
12. Washer

## 2—Components



1. Fixing to the ceiling;
2. Finishing mirrors;
3. Fitting tube;
4. Fireplace body;
5. Crea7ion EvoPlus 400;
6. Decorative plates.

## 3—Safety Instructions

### 3.1—Ventilation

It is recommended that you keep a good ventilation of the area, in order to ensure a healthy level of oxygen.

Bioethanol combustion releases carbon dioxide (CO<sub>2</sub>) and water (H<sub>2</sub>O). The combustion requires oxygen, therefore the area where the fireplace is should have adequate ventilation with ventilation grids or other means, to allow air quality and circulation.

### 3.2—Cautions

GlammFire is concerned about your safety, therefore we have taken all necessary consideration for conception, fabrication, assembly and transport, to ensure perfect functioning.

We therefore ask you to thoroughly follow our instructions for assembly, use and maintenance.

- Do not cover your decorative fireplace;
- Keep it away from flames, ignition sources and flammable materials;
- Do not place the fireplace near windows or doors that can create drafts. These drafts may cause irregular functioning;
- Do not blow to the combustion fire line when igniting or during normal functioning of the fireplace;
- Keep a regular watch, during use of the fireplace;
- Keep children and animals away from the fireplace. Children do not recognize danger. Therefore make sure children are kept at a safe distance;
- Keep children watched when fireplace is working;
- The fireplace should not be exposed to direct sunlight or any heat source, as it may damage its materials;
- If you spill bioethanol onto the floor, you must absorb it with a cloth, and then clean with a wet cloth, to avoid ignition outside the combustion fire line and stains on the floor;
- In case you spill bioethanol in the fireplace clean it immediately with a wet cloth, to avoid ignition outside the combustion fire line and damages to the finishing of the fireplace (paint, lacquers, leathers, amongst others);
- **Attention:** While working the fireplace may achieve very high temperatures. Therefore avoid touching it. Areas of potential contact with skin may cause burns;
- Do not fill the combustion fire line while hot, wait for it to cool down;
- Never pour bioethanol over the flame;
- After extinction of the flame wait approximately 15 minutes before handling the fireplace;
- In case of fire use a fire blanket or a fire extinguisher;

- Do not use water to extinguish the fire;
- Do not use chemical products to clean the fireplace, as they may damage the materials. When in doubt contact an authorized dealer;
- After flame cutting may remain small residual flames at the point of fuel inlet for approximately 2 to 10 minutes. At the end of this time the flame will extinguish naturally;
- If bioethanol pours out during the process of filling up the tank, clean the tank and surrounding area, before using again;
- Decorative stones, wood or other accessories should not be placed directly on top of the burning area. Should you use decorative accessories make sure:
  - The accessories do not interfere with the flame;
  - Are only for decorating the fireplaces and combustion fires;
  - There is no risk of falling inside the combustion fire.

## 4—Fuel

### 4.1—Bioethanol – The adequate fuel

- GlammFire fireplaces are designed to work with quality bioethanol, fully tested. Only this fuel ensures clean and efficient combustion. Fuel with less or inappropriate quality may lead to:
  - Higher probability of malfunction;
  - Reduction in durability of the system;
  - Incomplete and inefficient combustion;
  - Smoke and odours;
  - Residues inside the combustion fire line.
- Bioethanol is internationally recognized as being the major source of renewable energy, 100% ecological and environmentally friendly. It is made from fermentation and distillation of sugars from plants, such as sugar cane, potato, beetroot and cereals;
- The use of bioethanol guarantees a reduction of 85% in CO<sub>2</sub> emissions, therefore contributing for the reduction of global warming;
- Use only liquid bioethanol as fuel. Only bioethanol will make a clean and perfect combustion;
- Keep bioethanol away from children and animals, as well as from a working fireplace;
- Avoid contact with eyes and skin;
- Do not drink bioethanol. In case you do go to the nearest hospital;
- Bioethanol should be kept at a minimum distance of 1 m from the fireplace;
- Do not place bioethanol in front of the fireplace;
- For security reasons bioethanol should be stored at a room temperature of approximately 20 °C.
- Use only liquid bioethanol, recommended by GlammFire.

## 5—Installation

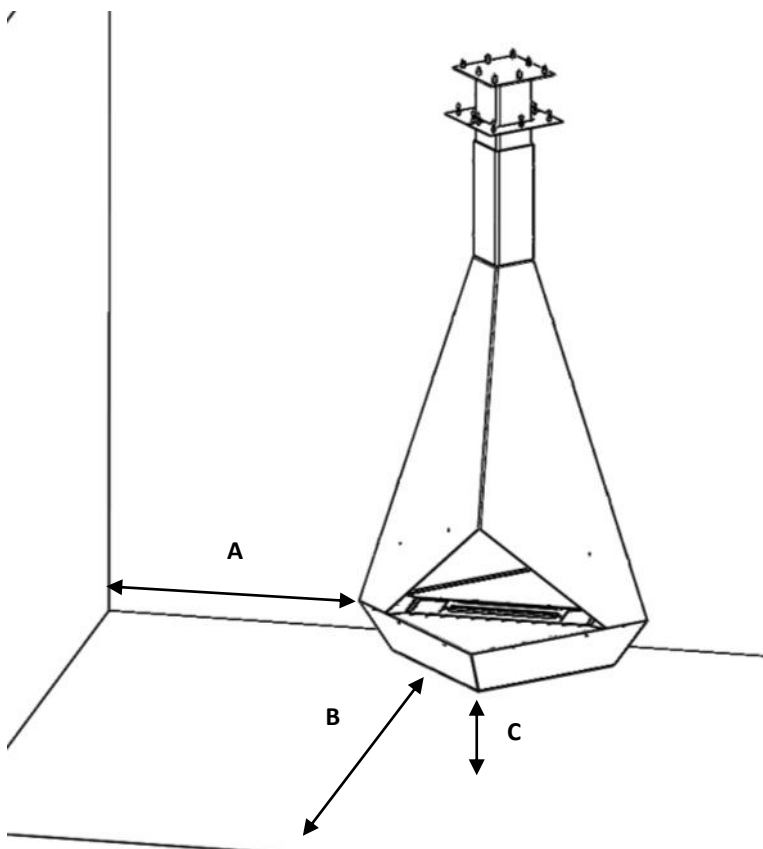
### 5.1—Flammable material

- Do not place flammable materials near the fireplace, within 1m;
- Racks or shelves should be distant 1m from the combustion fire line;

### 5.2—Materials: stone/metal/ceramics

- A - 150 mm;
- B - 150 mm;

C (distance from the bottom of the fireplace to the floor) should be 300mm.



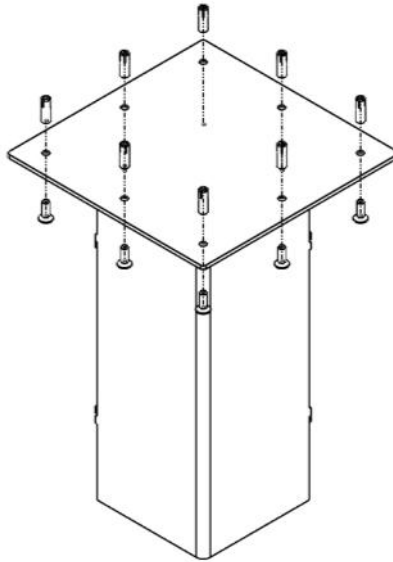


## 6—Installation

At least two people are required for this procedure.

Eudoxus is a fireplace designed to be installed in places with a ceiling height between 2500 and 2700mm and it should be at a distance from the floor to the bottom of the fireplace of 300mm having an available regulation of 200mm.

Note: If the ceiling height of the installation place is larger than 2700mm there is a 500mm available extension of tube. Screw the fireplace to the ceiling at the desired location, using the most appropriate screws to the surface to install.



**Figure 1** – Top part to screw to the ceiling

**Warning:** The ceiling where the fireplace will be installed shall comprise a strong framework structure in order to support the weight of the model. It is not allowed to place extra weight at the fireplace body.

Assemble the body by placing the tube (D) so that it engages the top of the structure (E). Then tighten the D + E assembly with a two nuts (F) and tighten with the wrench (G) (nuts and wrench supplied), as shown in figure 2.

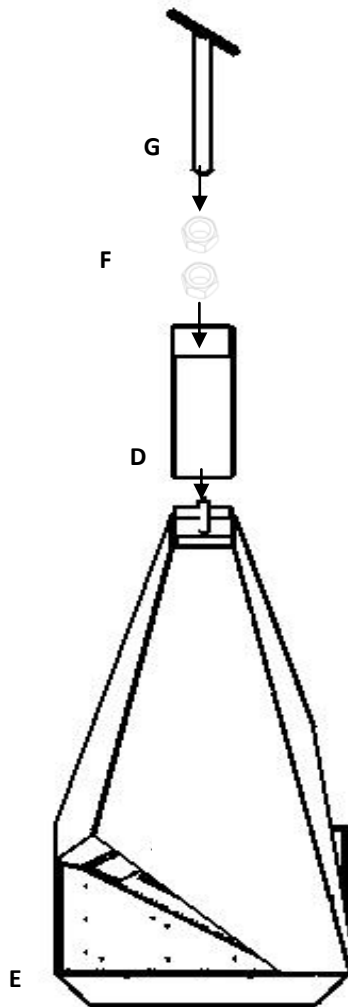
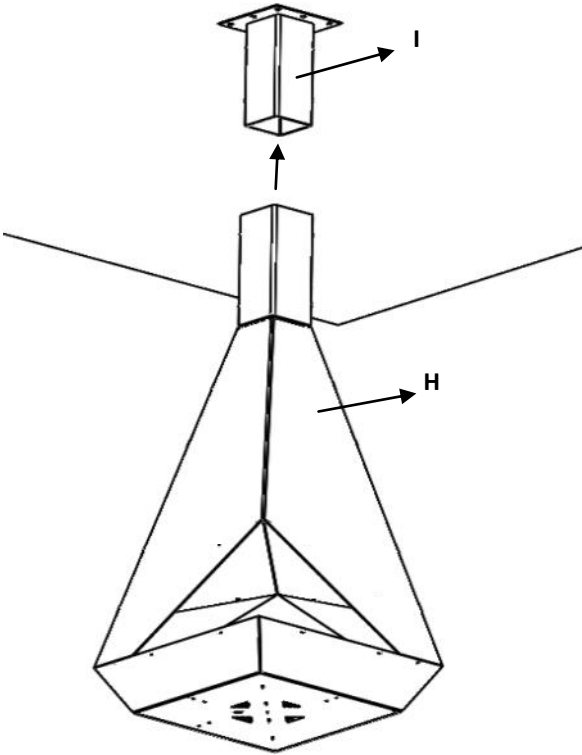
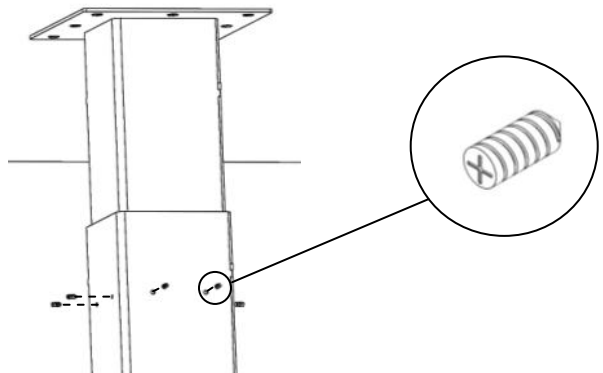


Figure 2— Assembly representation

After the part I is fixed to the ceiling and the set H is completely assembled, place the set H on the part I, tighten with the supplied bolts, as shown in figure 4. Check that the assembly is well placed and tight.



**Figure 3**— Identification of assembly sets



**Figure 4**— Tube tightening with bolts

After complete fixing and the ceiling finishings completed, install the final finishing mirrors.

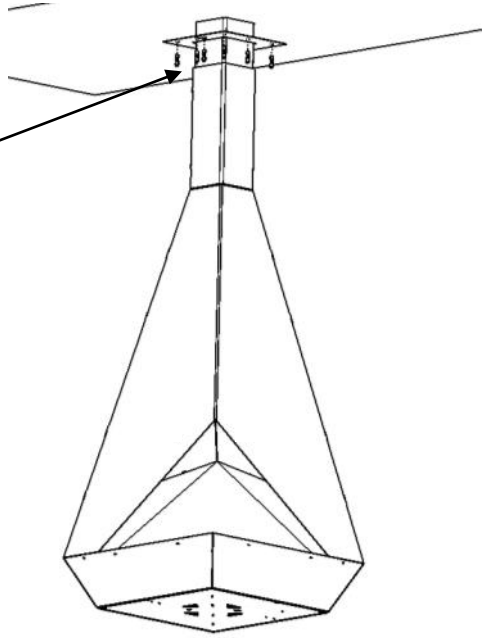
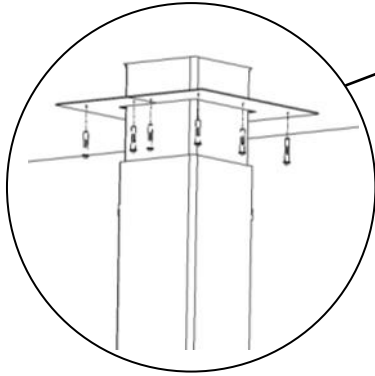


Figure 5— Ceiling finishing mirrors

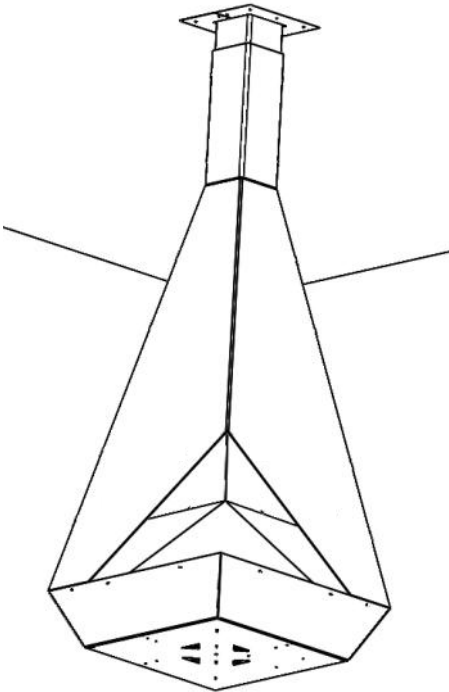
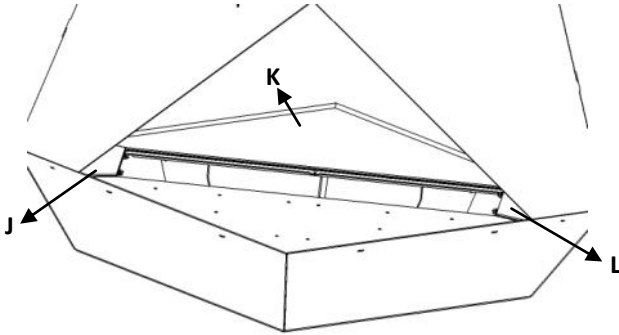


Figure 6—Complete installation of the fireplace to the ceiling

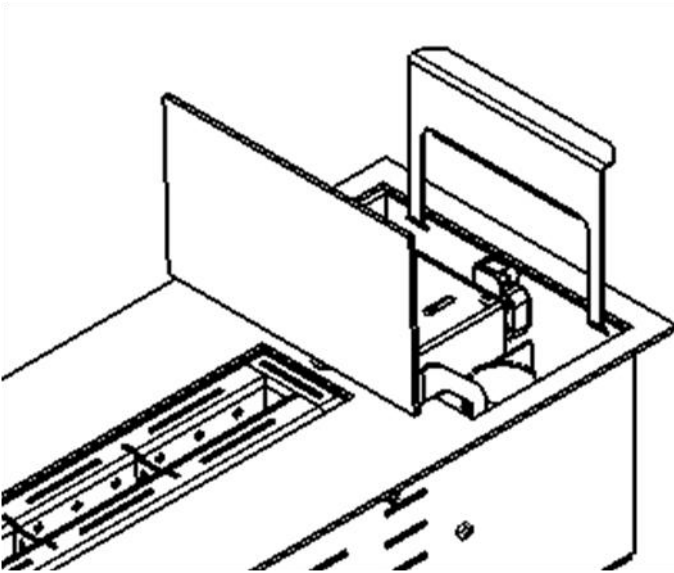
The decorative plates J, K e L are already placed.

Caution: Do not place the 4 decorative plates before the burner is placed to prevent any damage to the burner.

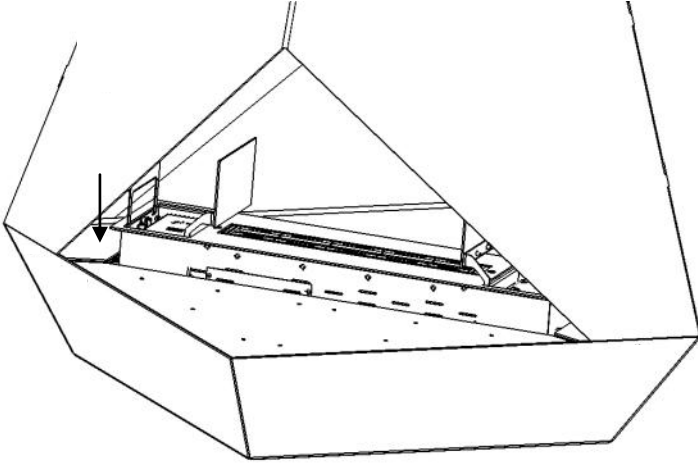


**Figure 7**— Fireplace with 3 decorative plates

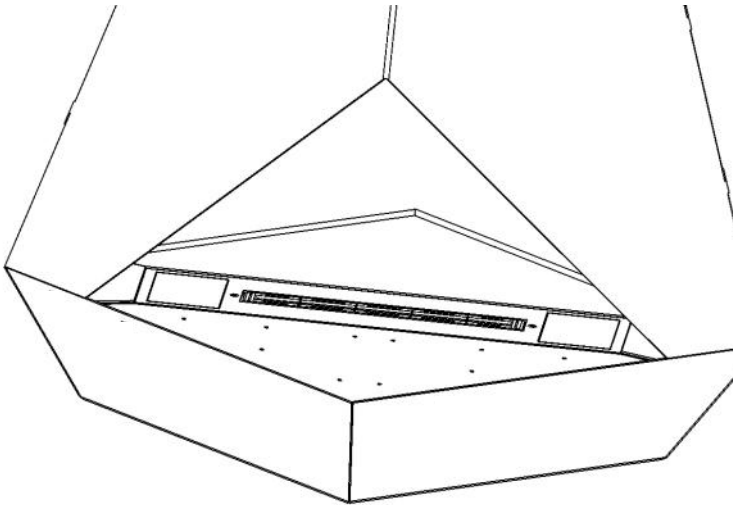
Then place the EvoPlus 400 burner using to 2 handles supplied to assist in its handling (see burner's instructions manual, chapter: Installation Procedures).



**Figure 8**— Metal handle properly seated

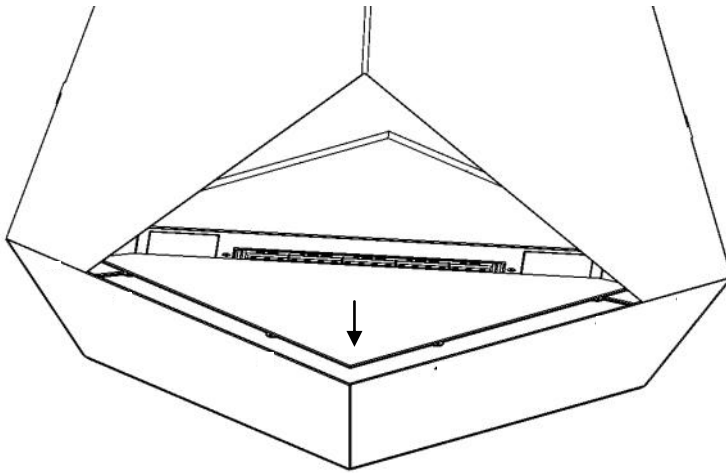


**Figure 9**— Placing the burner in the fireplace

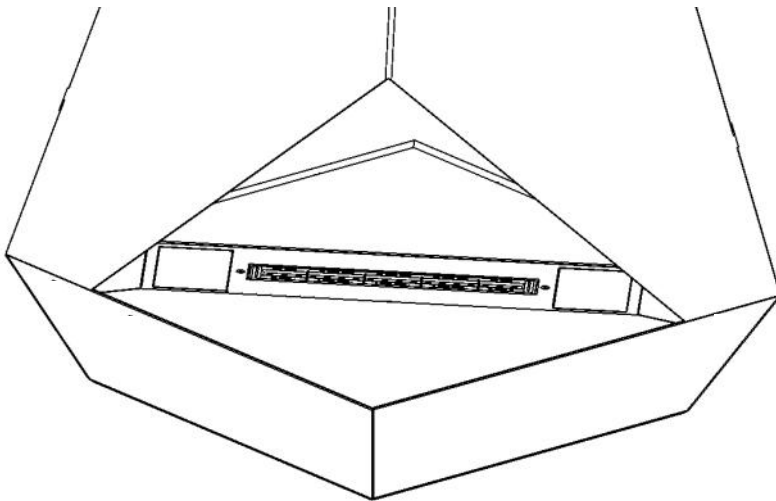


**Figure 10**— Burner placed in the fireplace

With the burner properly installed proceed with the laying of the last decorative plate (fig.11).



**Figure 11**— Placement of decorative plate



**Figure 12**— Placed decorative plate

### 7—Extension of tube (option)

If the ceiling height of the fireplace installation is larger than 2700mm, GlammFire provides the option of a 500mm extension in order to fit to the desired dimension.

To the fitting piece that has 180x180 mm of standard height 490 mm are added 500 mm so that its total length is 990 mm.



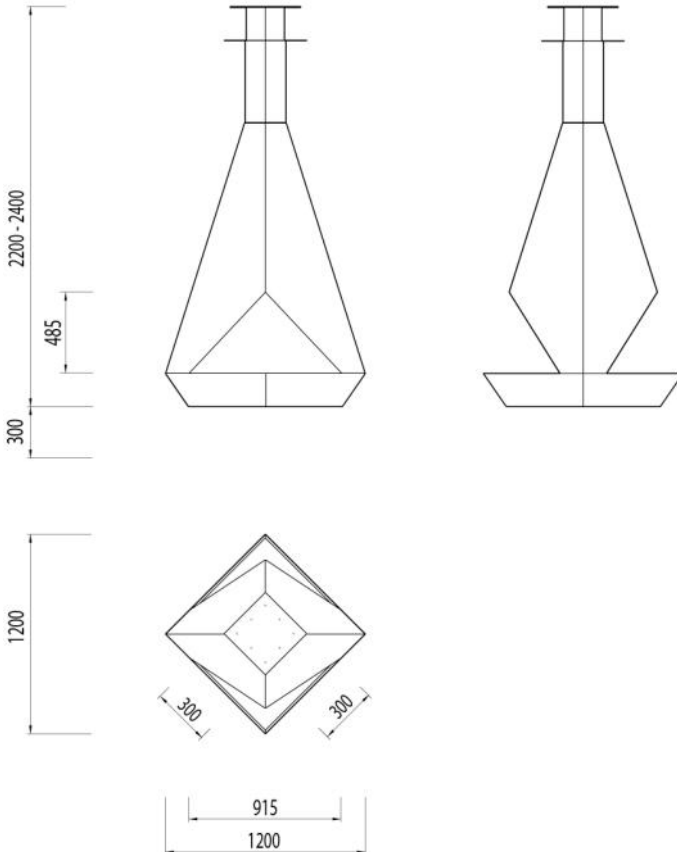
**Figure 13**— Extension of tube (option)



## 8—Maintenance

- The combustion fire line should be cleaned regularly using a damp cloth with bioethanol;
- The more persistent marks can be removed using a soft cloth moistened in bioethanol;
- Never use chemicals not suitable for cleaning stainless steel;
- Do not use steel-wool or abrasive sponges. The surface can be scratched by them;
- The manufacturer is not liable for any damage arising from misuse and/or fraudulent of the product. The manufacturer also can not be blamed for the failure to observe the cleaning or application instructions and/ or use of any other cleaning techniques;
- **Note:** Failure to follow the above rules eliminates any factory warranty on all models or fireplaces, losing the customer the right to require repair under warranty.

## 9—Overall Dimensions



## 10—After-Sales Service

In case of doubt or any anomaly, do not use the fireplace and please contact a specialized technician.

## 11– Warranty

In order to activate your GlammFire 2 year warranty, please register your new GlammFire product at [www.GlammFire.com/en/about/warranty](http://www.GlammFire.com/en/about/warranty) or complete your warranty card and return it to us, along with a copy of the proof of purchase, at our address within 30 days of purchase.

All our Bioethanol Fireplaces and Burners, Electric Fireplaces, Fire Pits & Barbecues carry a warranty against defects of manufacture and faulty workmanship for a period of 2 years from the date of purchase.

This warranty does not cover glass replacement, batteries, damage caused by accident or misuse of the appliance, or the assembly/disassembly not indicated in the instruction manuals. If the product fails (not considering the above mentioned events) within the warranty period, defective pieces will be replaced free of charge if it is proved any defect of manufacture.

Regarding defective pieces, they will be sent free of charge and their switch is responsibility of the retailer responsible for the purchase of the appliance.

Our warranty is offered as an addition to your statutory rights. It is applicable to the original purchaser only, non-transferable. All repairs must only be fitted by an authorised service technician. Use of spare parts other than those supplied by the manufacturer will invalidate the appliance warranty and must only be fitted by an authorised service technician.

**IMPORTANT:** Registering your product does not require proof of purchase, if it will be made on our website, and must be based on the date of purchase. It will be assumed that registration information accurately reflects the information on the proof of purchase which will be required upon servicing of any/all products under warranty.

If the information conflicts, information stated on the proof of purchase will be deemed accurate and true and warranty will be assessed accordingly.

<b>Equipment</b>   <b>Version</b>   <b>Controller</b>	<b>Guarantee beneficiary</b>   <b>Address</b>   <b>Tel.</b> <b>Availability date</b>  <b>Local.....Date.....</b> <b>Signature</b>
<b>Series and Guarantee numbers</b>	
<b>Distributor code</b>	
<b>Name and Address of the Distributor</b>	

GlammFire is always concerned with the environment. This is reflected by the projection of their products and their packaging. Focusing on the reduction of energy consumption, raw materials, natural resources and quantity of waste generated, GlammFire follows the policy of the 4R's (Reduce, Reuse, Recycle and Recover). Thus GlammFire has in mind the use of long lasting products as well as reusable and recyclable products.

GlammFire recommends reusing the GlammFire's packaging separately and deposit plastic, paper, cardboard and glass in the appropriate collection point.

*"In nature nothing is created, nothing is lost, everything is transformed."*  
 Antoine Laurent de Lavoisier

GlammFire fireplaces are manufactured under the strict Standard of the world recognized ISO 9001:2008 (TUV) Quality Assurance Certificate.

GlammFire products are designed with superior components and materials, assembled by trained craftsmen who take great pride in their work.

Once assembled the complete fireplace is thoroughly inspected by a qualified technician before packaging to ensure that you, the customer, receive the quality product that you expect from GlammFire.

*glamm*<sup>®</sup>  
*fire*

Recuperadores Pachinha Lda.  
Zona Industrial da Lagoa, Lote G1  
4950-850 CORTES - MONÇÃO PORTUGAL  
Tel(+351) 251 654 800  
Fax(+351) 251 654 801  
info@GlammFire.com  
www.GlammFire.com



Management  
System  
ISO 9001:2008  
ISO 14001:2004



www.tuv.com  
ID 9105063633