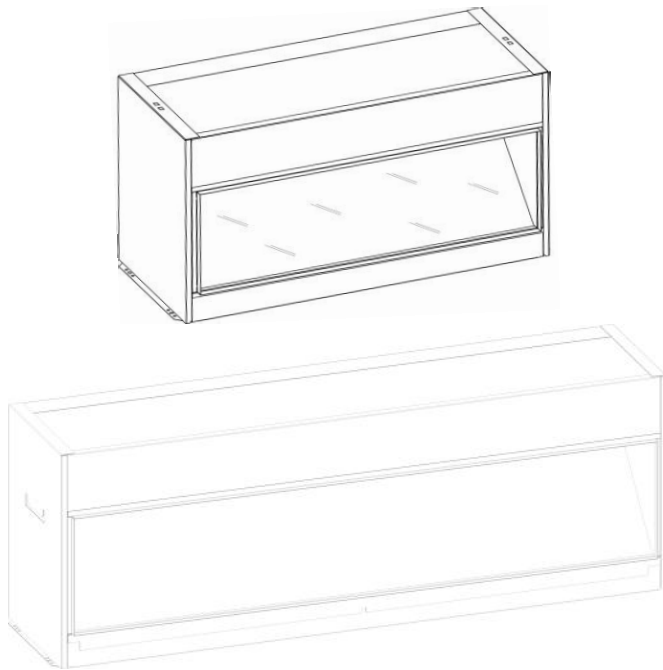


Electric



INSTRUCTIONS MANUAL

Electric

Opti—V
Single / Double

Ignition Mode:
Electronic—Remote Control

glamm[®]
fire

ÍNDICE

1—Material Provided	4
2—Components	4
3—Important Safety Recommendations	5
4—Install	6
5—Operational Instructions	8
6—Management	9
7—General Dimensions	10
8—Product Specifications	10
9—After-Sales Service	10
10—Guarantee	10

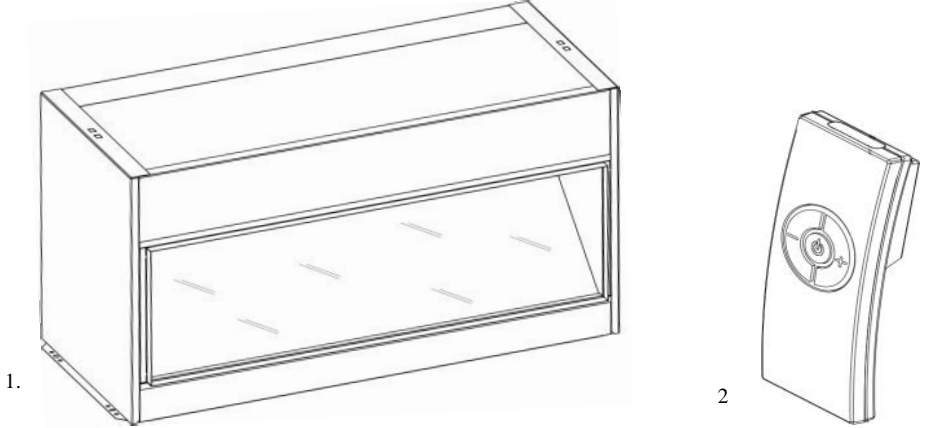
Please read this Instruction Manual carefully before using your decorative fireplace. It contains important operating and maintenance instructions, that should be followed correctly, in order to ensure a durable use of your decorative fireplace.

All presented cautions and warnings must be respected. Keep this manual for future reference.

This Instruction Manual is subject to change without notice.

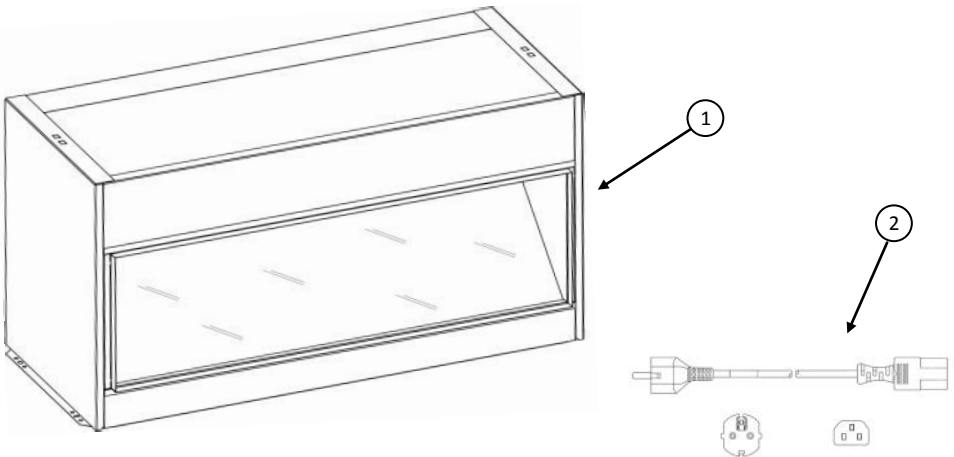
1—Material Provided

1. Fireplace
2. Remote Control



2—Components

1. Display Opti-V;
2. Electric cable—Schuko CEE



3—Important Safety Recommendations

When operating electrical equipments, basic cautions should be followed in order to reduce the risk of fire, shock hazard and physical injury, including:

3.1—Damage

In case of a damaged equipment, please advise with the supplier before installation or operation. If the power cables are damaged the supplier or the technical support agent or a skilled person should replace it avoiding injuries.

3.2—Place of use

- Do not use on exterior;
- Do not use near bath-tubs, showers or pools;

3.3— Positioning

The device should be positioned allowing the plug to be completely available. The power cable should not be in the front of the device.

3.4— Turn Off

Turn off the device on Plug if you notice any problem.

Turn off the device on Plug if it is not supposed to work for a long period of time.

3.5— Owner/User

This product was not built to be operated by children or people with reduced capabilities either phisical, cognitive or mental, or persons with reduced experience and knowledge, with na exception if those are under supervision or under instructions about the operation cautions by a person who is responsible to keep them safe. Children might be supervised in order to assure they are no playing with the device.

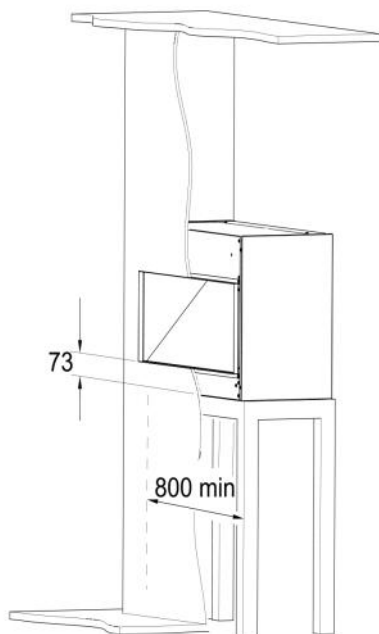
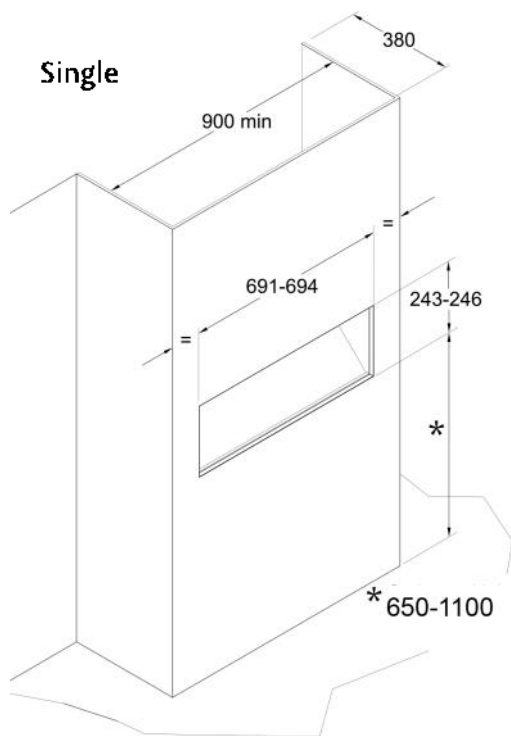
3.6— Electricity

WARNING—THE DEVICE SHOULD HAVE EARTH CONNECTION

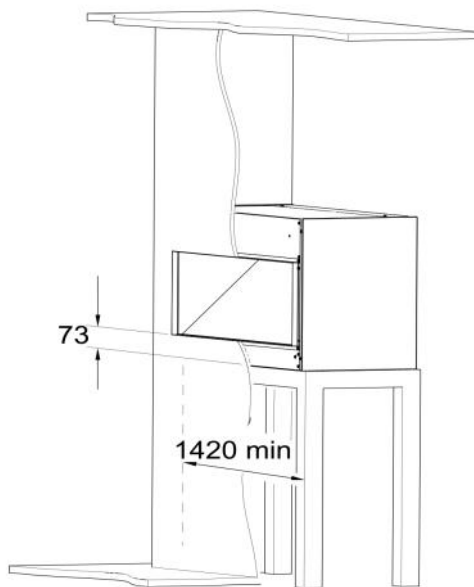
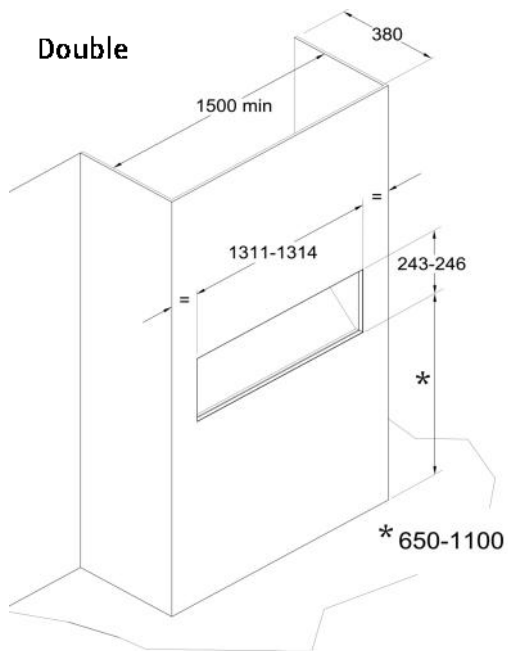
The device should only be used with a CA feeding and the stated tension on the device should correspond to the feeding tension on plug. Read the Warnings and the Safety measures before turrrn on the device.

4—Install

Place the fireplace close to an electrical plug. Do not Turn On the fireplace while it is not at the right place to stand. Be aware the fireplace or the power cables are not damaged. This module was conceived to stand still, so it should be Turned Off when moving around.



Double



5—Operational Instructions

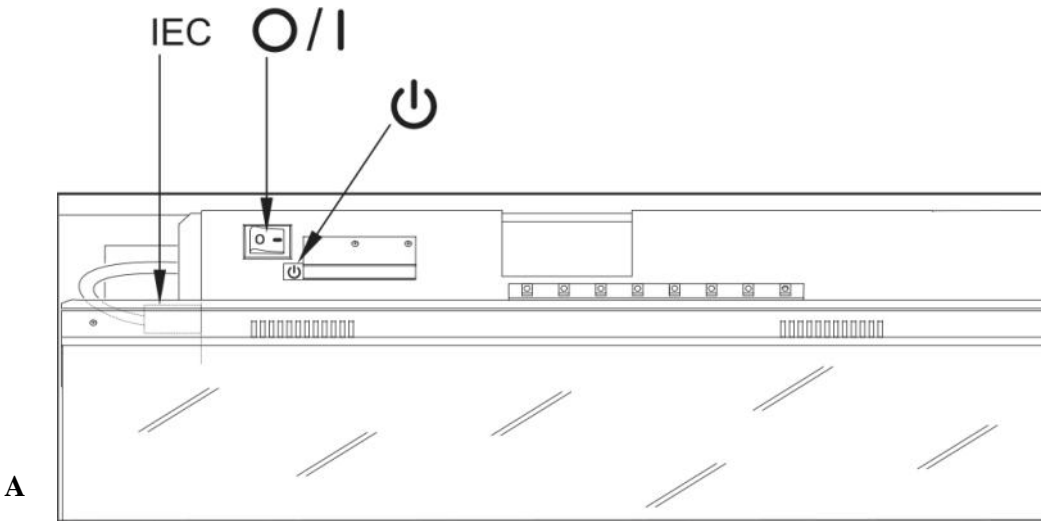
To Start/Tur On: Use the button O/I (image A), clicking on the position I. The device might be started then.

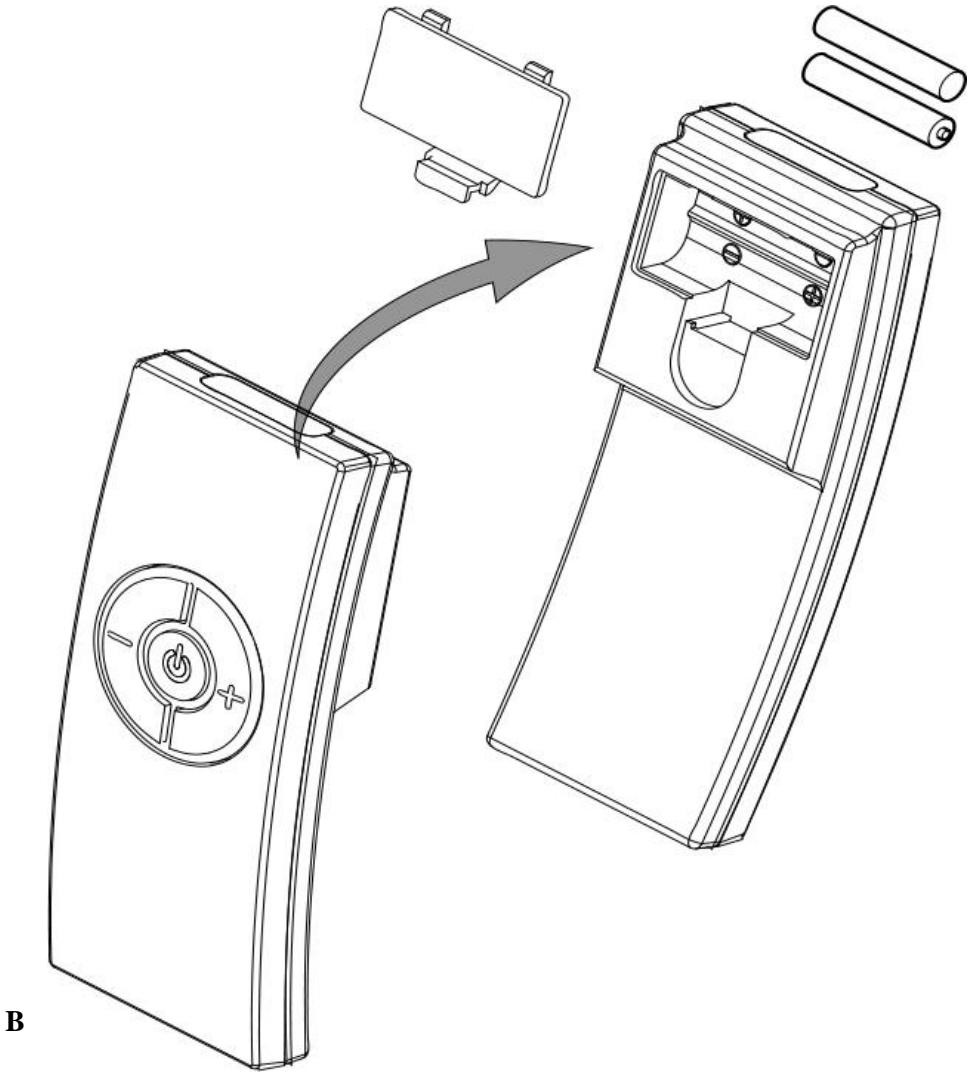
To turn Off: Use the button O/I (image A), clicking on the the position O. Turn off the device in case it is not supposed to be working in a long period of time, to avoid energy waste. The Standby button (.) is placed beside the button O/I. (image A)

Note: You may notice the screen will turn black for approximately 5 seconds, each 30 minutes. This is a normal performance, and not a clause of concern.

Remote Control

To operate the remote control use the button O/I , clicking on the position I. A red light will inform you that the device is on the Standby position. Turn On the device using the remote control in the direction of the red light. The sound volume can be adjusted using the buttons (+) and (-). To introduce or to change the batteries AAA of the remote control, see image B.

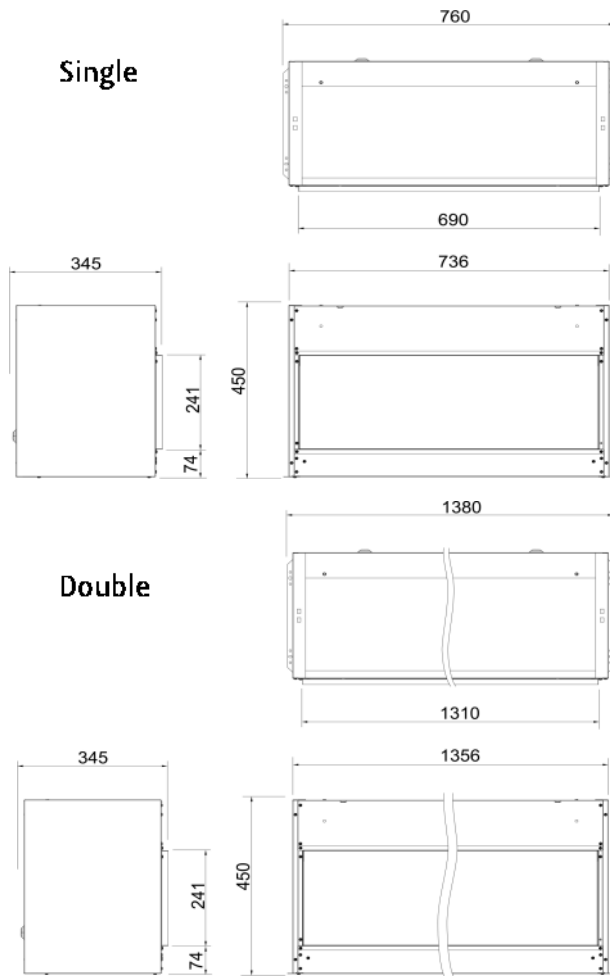




6—Management

- Clean the product regularly
- Clean the product always with a dry and soft cloth not using any detergent or liquid.
- DO NOT use any kind of surface active detergent on windscreen
- DO NOT use any corrosive detergent at any surface

7—General Dimensions



8— Product Specifications

Weight Single: 25 kg
Weight Double: 50 kg
Tension: 220/ 240 V/ 50 Hz

9—After-Sales Service

In case of doubt or any anomaly, do not use the fireplace and please contact a specialized technician.

10— Guarantee

2 years against manufacture defects (the warranty do not include glasses).

Equipment	Guarantee beneficiary
Version	Address
Controller	Tel. Availability date Local.....Date..... Signature
Series and Guarantee numbers	
Distributor code	
Name and Address of the Distributor	

GlammFire fireplaces are manufactured under the strict Standard of the world recognized ISO 9001:2008 Quality Assurance Certificate.
GlammFire products are designed with superior components and materials, assembled by trained craftsmen who take great pride in their work.
Once assembled the complete fireplace is thoroughly inspected by a qualified technician before packaging to ensure that you, the customer, receive the quality product that you expect from GlammFire.

glamm[®]
fire

Recuperadores Pachinha Lda.
Zona Industrial da Lagoa, Lote G1
4950-850 CORTES - MONÇÃO PORTUGAL
Tel(+351) 251 654 800
Fax(+351) 251 654 801
info@glammfire.com
www.glammfire.com



Management
System
ISO 9001:2008
ISO 14001:2004



www.tuv.com
ID 9105063633