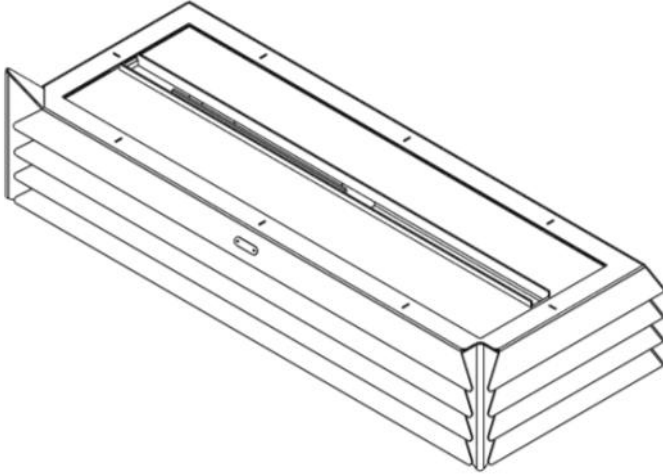


Electric



INSTRUCTIONS MANUAL YORK 3D

Dimensions

YORK 500 - H 283 mm x W 654 mm x D 452 mm
YORK 1000 - H 283 mm x W 1164 mm x D 452 mm

Capacity

YORK 500 - 1,3 liters (filtered water)
YORK 1000 - 2,6 liters (filtered water)

Autonomy

8 hours

Voltage

220/240 V

Frequency

50 Hz

The product complies with the European Safety Standards EN60335-2-30 and the European Standard Electromagnetic Compatibility (EMC) EN55014, EN60555-2 and EN60555-3 These cover the essential requirements of EEC Directives 2006/95/EC and 2004/108/EC

Congratulations on purchasing your GlammFire appliance. This quality product has been designed with precision and rigour that characterizes us to offer you pleasant and soothing moments.

Please read the instructions for use carefully and effective before using the appliance.

Keep this Manual in a safe place.

Please read this manual before using your appliance and keep it for future reference. All presented warnings must be respected.

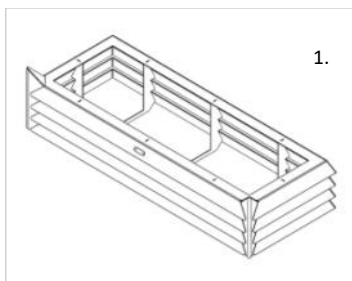
The information provided in this manual is subject to change without notice.

INDEX

1—Supplied material	4
2—Components	4
3—Installation	4
3.1—Installation procedures	
4—General dimensions	6
5—After-sale service	6
6—Warranty	7

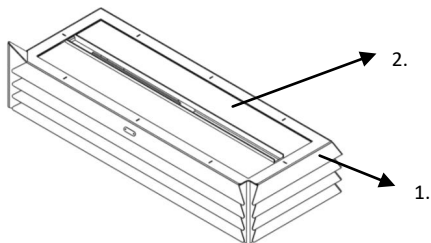
Before using the product, please read this Instructions Manual and the Kit Glamm 3D Plus Instructions Manual carefully. All warnings must be duly respected.

1—Supplied material



1. York 3D base
2. KIT Glamm 3D Plus

2—Components



1. York 3D base
2. KIT Glamm 3D Plus

3—Installation

The fireplace installation surface must be as level as possible.
It is recommended to maintain a good ventilation of the place of installation of the fireplace.

3.1—Installation procedures

It is recommended to unpack the fireplace with the utmost precaution. Position the base at the desired location.

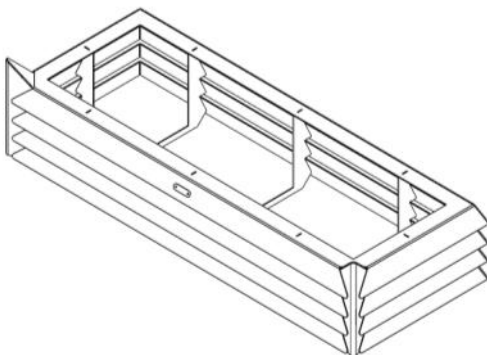


Figure 1: York 3D base.

Placing the Kit Glamm 3D Plus inside the base.

NOTE: This product has leveling feet to adjust height.

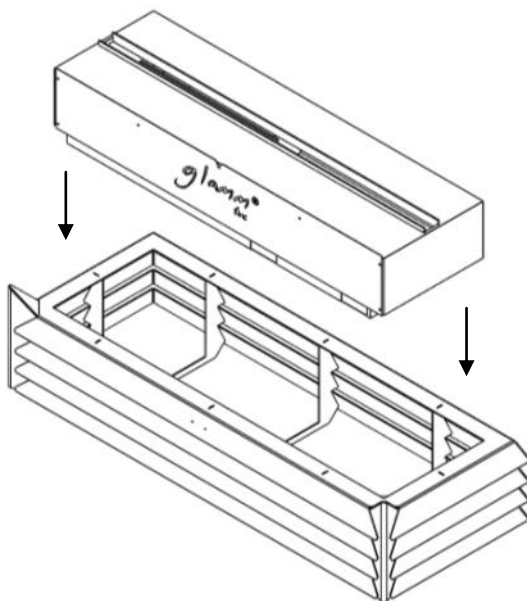


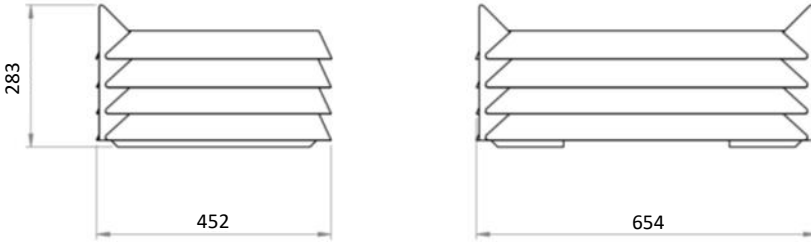
Figure 2: Placing the Kit Glamm 3D Plus on the base.



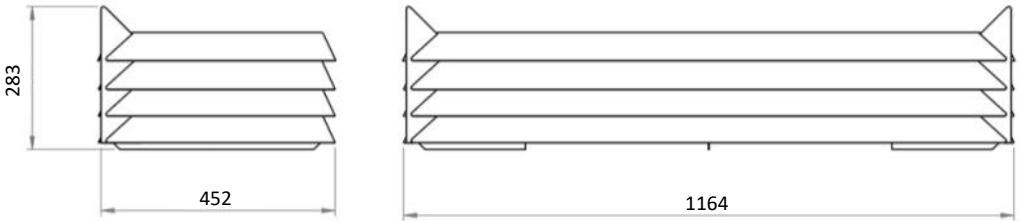
Figure 3: KIT Glamm 3D Plus frontal view.

4—General dimensions

YORK 3D 500



YORK 3D 1000



5—After-Sales Service

In case of doubt or any anomaly, do not use the fireplace and please contact a specialized technician.

6— Warranty

In order to activate your GlammFire 2 year warranty, please register your new GlammFire product at www.glammfire.com/en/about/warranty or complete your warranty card and return it to us, along with a copy of the proof of purchase, at our address within 30 days of purchase. All our Bioethanol Fireplaces and Burners, Electric Fireplaces, Fire Pits & Barbecues carry a warranty against defects of manufacture and faulty workmanship for a period of 2 years from the date of purchase.

This warranty does not cover glass replacement, batteries, damage caused by accident or misuse of the appliance, or the assembly/disassembly not indicated in the instruction manuals. If the product fails (not considering the above mentioned events) within the warranty period, defective pieces will be replaced free of charge if it is proved any defect of manufacture. Regarding defective pieces, they will be sent free of charge and their switch is responsibility of the retailer responsible for the purchase of the appliance.

Our warranty is offered as an addition to your statutory rights. It is applicable to the original purchaser only, non-transferable. All repairs must only be fitted by an authorised service technician. Use of spare parts other than those supplied by the manufacturer will invalidate the appliance warranty and must only be fitted by an authorised service technician.

IMPORTANT: Registering your product does not require proof of purchase, if it will be made on our website, and must be based on the date of purchase. It will be assumed that registration information accurately reflects the information on the proof of purchase which will be required upon servicing of any/all products under warranty.

If the information conflicts, information stated on the proof of purchase will be deemed accurate and true and warranty will be assessed accordingly.

Equipment	Guarantee beneficiary
Version	Address
Controller	Tel.
	Availability date
	Local.....Date.....
	Signature

Series and Guarantee numbers

Distributor code

Name and Address of the Distributor

GlammFire is always concerned with the environment. This is reflected by the projection of its products and packaging. Focusing on the reduction of energy consumption, raw materials, natural resources and quantity of waste generated, GlammFire follows the policy of the 4R's (Reduce, Reuse, Recycle and Recover). Thus GlammFire has in mind the use of long lasting products as well as reusable and recyclable products. GlammFire recommends reusing the packaging GlammFire separately and deposit plastic, paper, cardboard and glass in the appropriate collection point.

"In nature nothing is created, nothing is lost, everything is transformed."
 Antoine Laurent de Lavoisier

GlammFire fireplaces are manufactured under the strict Standard of the world recognized ISO 9001:2008 (TUV) Quality Assurance Certificate. GlammFire products are designed with superior components and materials, assembled by trained craftsmen who take great pride in their work. Once assembled the complete fireplace is thoroughly inspected by a qualified technician before packaging to ensure that you, the customer, receive the quality product that you expect from GlammFire.



Recuperadores Pachinha Lda.
Zona Industrial da Lagoa, Lote G1
4950-850 CORTES - MONÇÃO PORTUGAL
Tel(+351) 251 654 800
Fax(+351) 251 654 801
info@glammfire.com
www.glammfire.com



Management
System
ISO 9001:2008
ISO 14001:2004



www.tuv.com
ID 9105063633