

Danville

Optimyst® | 230V/50Hz | 2000 Watt



A modern fireplace insert, with a 3D flame effect and glowing wood blocks that continue to fascinate. Available in two different designs to create your personal style: powerful black or classic brass. The remote control and heating make this fireplace even more attractive.

- Inset fire designed to fit standard fireplace
- Contemporary styling with powerful black finish
- Logbed with effect for added authenticity
- Rotary thermostat for temperature control



Viewing configurations

One-sided decorative fireplace.



Flame Effect

Surprising by the floating flame and smoke effect and variable flame intensity..



All-season flames

Enjoy the unique charm of a fireplace 365 days a year using the flames without the heat.



Flame technology

Optimyst® flame technology, flame patterns by cold water vapour.



Heating

Powerful fan-assisted heating by safe element that provides additional heating on demand.



Multi-function Remote

Control all functions of the fireplace from the comfort of your chair.



Plug and Play

Easy to connect to a standard socket for instant atmosphere.



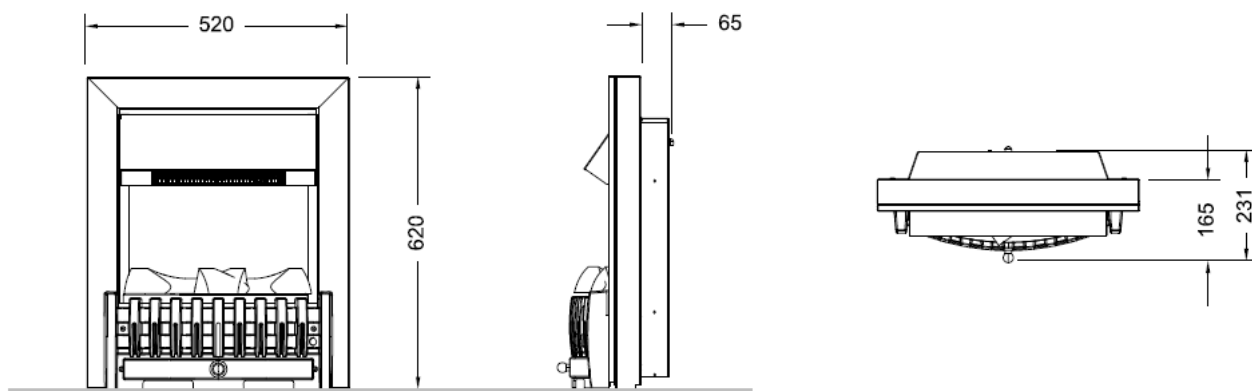
Installation

Freestanding model.

Danville

Unit dimensions

All dimensions are in mm



	Danville Black	Danville Brass	
General specifications	Fire system	Optimyst®	Optimyst®
	Article number	202550	202536
	EAN code	5011139202550	5011139202536
	Model	Freestanding	Freestanding
	View of the fire	Front	Front
	Colour	Black	Copper
	Decoration / fuel bed	Logset	Logset
Product size	Measurements view of the fire (WxH) (cm)	32x24	32x24
	Outside dimensions WxHxD (cm)	52x62x23,1	52x62x23,1
Features	Heat output	Yes	Yes
	Thermostat	Yes	Yes
	Remote control	Yes	Yes
	Manual controlling directly at the fireplace possible yes / no	Yes	Yes
	Light module	Halogen	Halogen
	Sound module	No	No
	Colour effects settings	No	No
Power consumption	Heat setting 1 in W	1000	1000
	Heat setting 2 in W	2000	2000
	Flame only operation in W	200W	200W
	Max. consumption	2000W	2000W
Voltage	Voltage/Electrical frequency	230V/50Hz	230V/50Hz
Specifications	Product weight in kg	16,5	16,5
	Length of the cord	1,5 m	1,5 m
	Warranty	2 years	2 years

Disclaimer

We have compiled this publication with the utmost care. The information in this publication can be shown inaccurately, may have been changed or supplemented. This publication can be changed. Glen Dimplex is not responsible for the action taken, decisions of results based solely on the information contained in this publication.