

# Silverton

Optimyst® | 230V/50Hz | 60 Watt



Do you cherish your existing fireplace or stove but make no use of it? The Silverton is a smart and compact electric fire, designed to revive your wood or gas fire. Thanks to its glowing logs, its flames and smoke coming from cold water vapour and LEDs, enjoying your fireplace can be a comfortable and lasting experience, again.

- Compact freestanding fireplace
- Also suitable as an insert for inoperative fireplaces
- Glowing LED logset with loose logs for individual decoration
- Includes a glowing fire bed for under the fire basket



## Viewing configurations

All-round view..



## Flame Effect

Surprising by the floating flame and smoke effect and variable flame intensity..



## All-season flames

Enjoy the unique charm of a fireplace 365 days a year using the flames without the heat.



## Flame technology

Optimyst® flame technology, flame patterns by cold water vapour.



## LED Lighting

Flames and lamps use energy-efficient LEDs that require no maintenance and can burn separately.



## Multi-function Remote

Control all functions of the fireplace from the comfort of your chair.



## Plug and Play

Easy to connect to a standard socket for instant atmosphere.



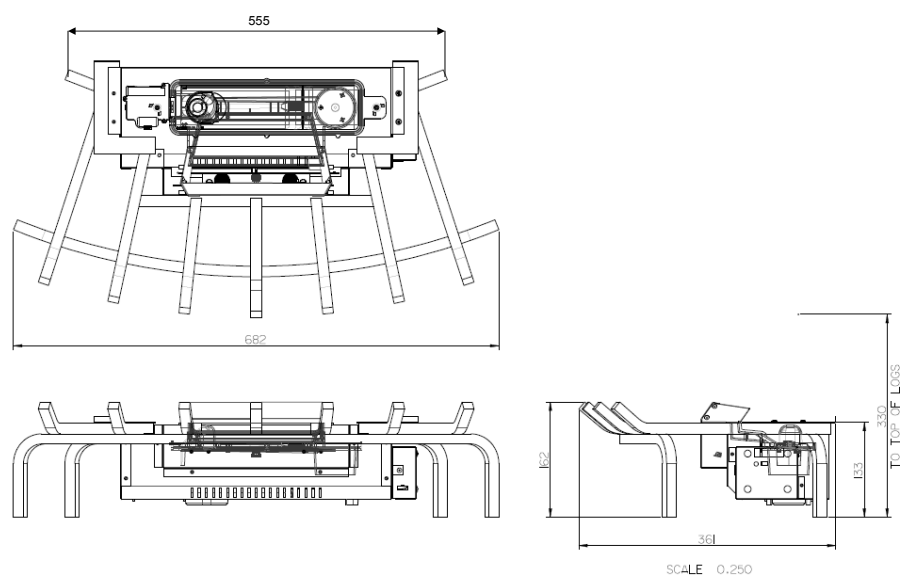
## Installation

Freestanding model.

# Silverton

## Unit dimensions

All dimensions are in mm



		Silverton
<b>General specifications</b>	Fire system	Optimyst®
	Article number	204554
	EAN code	5011139204554
	Model	Freestanding
	View of the fire	Three-sided
	Colour	Black
	Decoration / fuel bed	Logset
<b>Product size</b>	Measurements view of the fire (WxH) (cm)	22x20
	Outside dimensions WxHxD (cm)	68,2x33x36,1
<b>Features</b>	Heat output	No
	Thermostat	No
	Remote control	Yes
	Manual controlling directly at the fireplace possible yes / no	Yes
	Light module	LED
	Sound module	No
	Colour effects settings	No
<b>Power consumption</b>	Heat setting 1 in W	-
	Heat setting 2 in W	-
	Flame only operation in W	60W
	Max. consumption	60W
<b>Voltage</b>	Voltage/Electrical frequency	230V/50Hz
<b>Specifications</b>	Product weight in kg	10
	Length of the cord	1,5 m
	Warranty	2 years

### Disclaimer

We have compiled this publication with the utmost care. The information in this publication can be shown inaccurately, may have been changed or supplemented. This publication can be changed. Glen Dimplex is not responsible for the action taken, decisions of results based solely on the information contained in this publication.