

GlammFire

Kit Glamm 3D Plus 500/100

Electric



Assuming themselves as true protagonists in terms of decor, Kits Glamm 3D are conspicuous by their great versatility and ability to create a pleasant interior atmosphere. Owing to the use of 3D technology they provide also an incredible sense of visual comfort and aesthetic balance.

The beauty of the spaces lies in the details.

GlammFire

Recuperadores Pachinha Lda.
Zona Industrial da Lagoa, Lote G1
4950-850 CORTES - MONÇÃO
PORTUGAL

Tel(+351) 251 654 800
Fax(+351) 251 654 801
info@glammfire.com
www.glammfire.com

glamm
fire

GlammFire

Kit Glamm 3D Plus 500/100



Technical characteristics

With water tank

Materials
Black lacquered steel
Capacity
1,3 liters / 2,6 liters (decalcified water)
Autonomy
8 hours
Voltage
220/240 V
Frequency
50 Hz
Consumption
220 W / 440 W

With permanent water mains connection)

Materials
Black lacquered steel
Voltage
220/240 V
Frequency
50 Hz
Consumption
220 W / 440 W

GlammFire

Recuperadores Pachinha Lda.
Zona Industrial da Lagoa, Lote G1
4950-850 CORTES - MONÇÃO
PORTUGAL

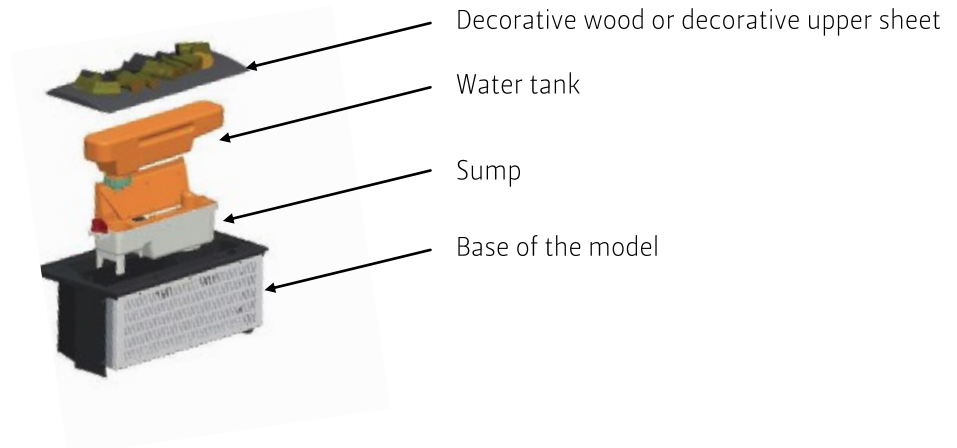
Tel(+351) 251 654 800
Fax(+351) 251 654 801
info@glammfire.com
www.glammfire.com

glamm[®]
fire

GlammFire

Kit Glamm 3D Plus 500/100

Components



NOTE: The Kit Glamm 3D Plus with water mains connection does not have the tank.



Installation

This product can be built into a wall, surround or structure. Please take note of the product dimensions in Fig.1 and build your wall, surround or structure accordingly. You are required to leave a minimum of 400mm from the base of the fuelbed to any shelf/enclosure above the product. This will allow enough space above the product to allow the flames to form fully and not to be obstructed.

This product needs free ventilation from underneath to operate correctly. The free ventilation helps keep the electronic components cool, allow the mist to evacuate the sump and lift out of the product effortlessly.

KIT GLAMM 3D PLUS 500 VENTILATION AREA – MINIMUM OF 210CM².

KIT GLAMM 3D PLUS 1000 VENTILATION AREA – MINIMUM OF 420CM².

GlammFire

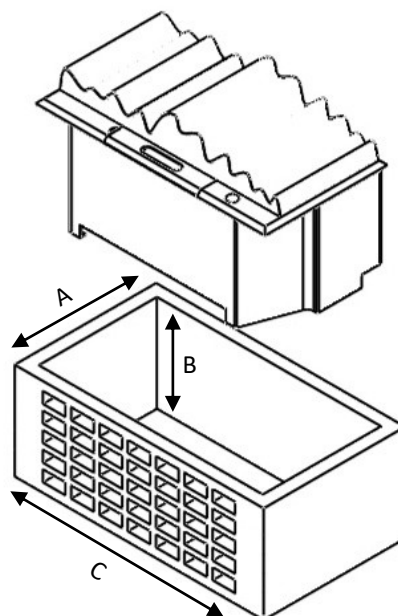
Recuperadores Pachinha Lda.
Zona Industrial da Lagoa, Lote G1
4950-850 CORTES – MONÇÃO
PORTUGAL

Tel(+351) 251 654 800
Fax(+351) 251 654 801
info@glammfire.com
www.glammfire.com

glamm
fire

Kit Glamm 3D Plus 500/1000

Installation dimensions



Note: It's important to have an opening on at least one of the sides for ventilation.

Built-in

Model	A	B	C
Kit Glamm 3D Plus 500	309 mm	230 mm	513 mm
Kit Glamm 3D Plus 1000	309 mm	230 mm	1022 mm
Kit Glamm 3D Plus 500 with decorative firewood	465 mm	230 mm	512 mm
Kit Glamm 3D Plus 1000 with decorative firewood	980 mm	230 mm	1021 mm

The Kit Glamm 3D Plus 500 and Kit Glamm 3D Plus 1000 are designed to be built into a surround/wall. Using the dimensions provided next page, build a cavity for the appliance. Be sure to allow room under and around the appliance for the water connection and the electrical connection. Once the surround/wall is prepared you can put the appliance in place. Fit the appliance to ensure that it is centred. When you have settled on a position, lift off the fuelbed and using appropriate screws for the surround/wall, screw through the formed holes in the left and right side panels securing the appliance in place.

GlammFire

Recuperadores Pachinha Lda.
Zona Industrial da Lagoa, Lote G1
4950-850 CORTES - MONÇÃO
PORTUGAL

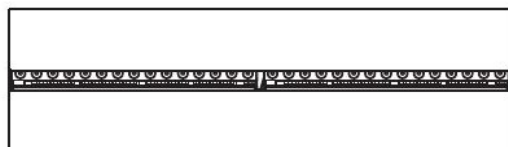
Tel(+351) 251 654 800
Fax(+351) 251 654 801
info@glammfire.com
www.glammfire.com

GlammFire

Kit Glamm 3D Plus 500/1000

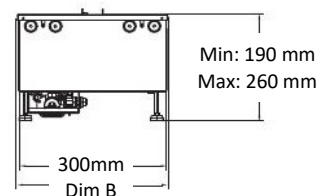
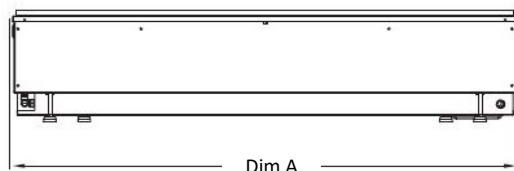
General dimensions

With water tank

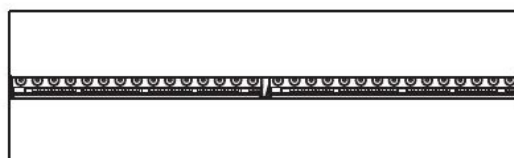


MODEL	DIM 'A'
Kit Glamm 3D Plus 500	508
Kit Glamm 3D Plus 1000	1017

COVER	DIM 'B'
Decorative plate	304
Decorative firewood	354

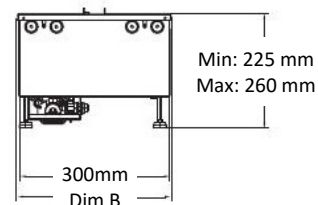
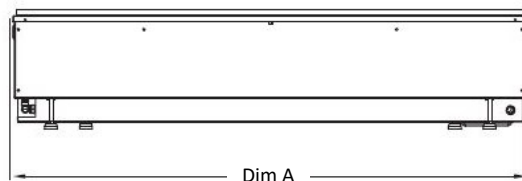


With permanent water mains connection



MODEL	DIM 'A'
Kit Glamm 3D Plus 500	508
Kit Glamm 3D Plus 1000	1017

COVER	DIM 'B'
Decorative plate	304
Decorative firewood	354



GlammFire

Recuperadores Pachinha Lda.
Zona Industrial da Lagoa, Lote G1
4950-850 CORTES - MONÇÃO
PORTUGAL

Tel(+351) 251 654 800
Fax(+351) 251 654 801
info@glammfire.com
www.glammfire.com

PT12400-B

glamm
fire