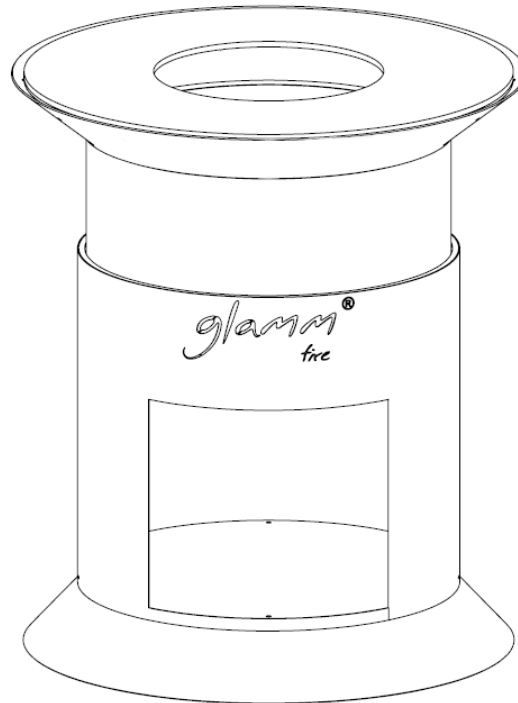


Instructions Manual

Alba Grill



Thank You for acquiring a GlammFire product.

In order to activate your 2 year GlammFire warranty, please register your product on www.glammfire.com/en/about/warranty or fill you warranty card and send it with a purchase document copy with a 30 day deadline to our address. For further information please consult the chapter *Warranty*.

INDEX

1—Material Provided 4

2—Safety Instructions 5

2.1—Ventilation 5

2.2—Cautions 5

3—Fuel 7

3.1—Firewood 7

4—Installation 7

4.1—Flammable Materials 7

4.2—Materials: stone/metal/ceramics 7

4.3—Other non-flammable materials 7

5—Installation Procedure 8

6—Firewood compartment/support table..... 12

7—Maintenance 13

8—Overall Dimensions 14

9—After-Sales Service 14

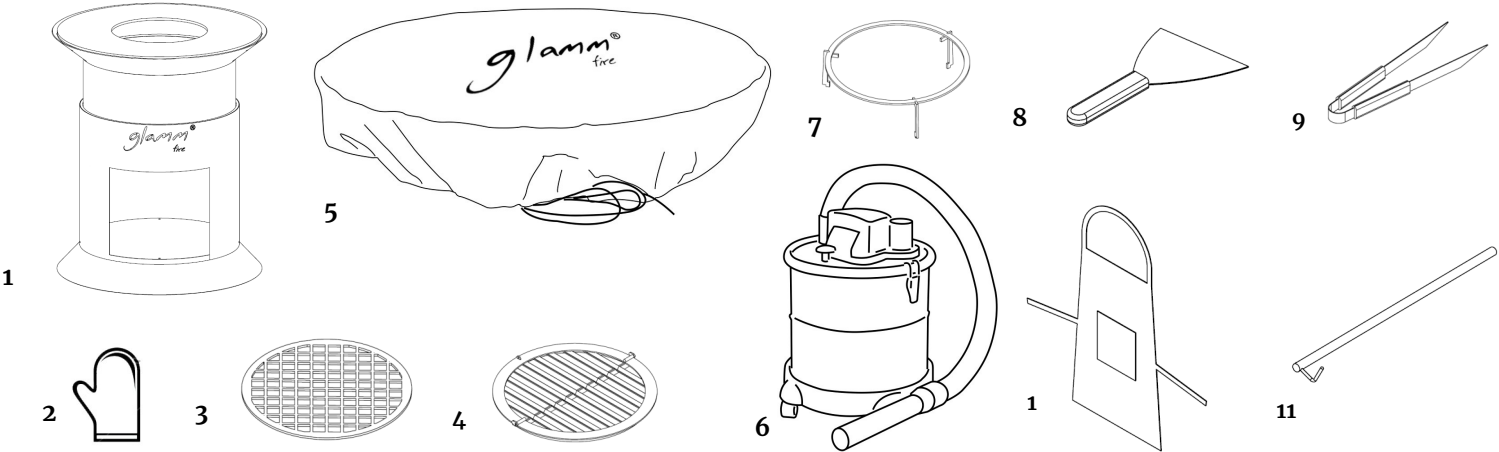
10—Warranty 15

Please read this Instructions Manual carefully before using your device. It contains important installation, utilization and maintenance guidelines, that should be followed correctly, in order to ensure a durable use of your exclusive barbecue. All present warnings and cautions must be respected. Keep this manual for future reference.

This Instruction Manual is subject to change without notice.

1—Material Provided

- 1—Grill/ Barbecue
- 2—Gloves
- 3—Round Grill
- 4—Argentine Grill
- 5—Protection Cover
- 6—Ash Vacuum
- 7—Round Grill Support
- 8—Spatula
- 9—Clamp
- 10— Apron
- 11—Argentine grill accessory
- 12— Firewood compartment/support table (option)



2—Safety Instructions

2.1—Ventilation

It is recommended that you keep a good ventilation of the area, in order to ensure a healthy level of oxygen. Ensure the device is only used outdoors.

2.2—Cautions:

GlammFire is concerned about your safety, therefore we have taken all necessary consideration for conception, fabrication, assembly and transport, to ensure perfect functioning.

We therefore ask you to thoroughly follow our instructions for assembly, use and maintenance:

- While the Grill/ Barbecue is on, keep it under supervision;
- Keep children and animals away from the Barbecue. Children do not recognize danger. Therefore make sure children are kept at a safe distance; keep children under surveillance while the device is on;
- DON'T use the Grill/ Barbecue for indoors heating. Carbon monoxide fumes are toxic and may cause asphyxiation;
- Make sure the Grill/ Barbecue is installed on a levelled and fire-proof surface;
- Before using the Grill/ Barbecue make sure every part is correctly installed and accordingly tight;
- The Grill/ Barbecue is not a device for commercial use;
- The Grill/ Barbecue should NOT be used on boats or other vehicles;
- We recommend using small, untreated, dry pieces of wood to start the fire;
- Do not throw pieces of wooden or other objects into the dome;
- Always wear fireproof gloves and do not overload the dome of quartz;
- Always pay attention to local, state and national legislation when using the GlammFire Grill/ Barbecue . Contact local fire department for details on this type of device usage;

Attention: While functioning the GlammFire Grill/ Barbecue may reach extremely high temperatures, on combustion zone and its periphery. Do NOT touch it. Potential contact areas with skin may cause severe burns;

- In case of fire, use a fire blanket;
- Do NOT use water to extinguish the flame;
- Do NOT use chemicals to clean the barbecue, they might damage the materials. In case of doubt contact the retailer;
- Do NOT try to move the device while it's on;
- Do NOT use loose or flammable clothing while using the GlammFire Grill/ Barbecue , this situation might be dangerous to the user;
- Do NOT use the GlammFire Grill/ Barbecue under dangerous circumstances;
- Do NOT store or use gasoline or any other flammable vapours or liquids near the GlammFire Grill/ Barbecue ;
- Do NOT use the GlammFire Grill/ Barbecue near automobiles, trucks, recreational vehicles or any other sort of vehicle;
- NEVER ignite the Grill/ Barbecue with gasoline or any other flammable liquid;
- Make sure the GlammFire Grill/ Barbecue cools down completely before proceeding to it's cleaning;
- Only use certified firelights for flame ignition;
- It is totally unadvised the utilization of the GlammFire Grill/ Barbecue after or during the ingestion of alcoholic beverages or medication that might harm the user's visual or intellectual capacity;
- Always use appropriate tools to handle (add or move) wood and embers;
- Do NOT add flammable material in excess, only use the advised in the utilization chapter;
- While igniting and even during the functioning of the GlammFire Grill/ Barbecue never lean over the combustion zone;
- The GlammFire barbecue must be regularly thoroughly inspected and clean. Read the *Maintenance* chapter of this manual;
- After a period of storage and/or non-usage check the conditions of the GlammFire Grill/ Barbecue and don't use it until confirmation that it is clean and in perfect use conditions.

3—Fuel

The Right Fuel

3.1—Firewood

The Grill/ Barbecue was designed to function only with firewood, other fuels are not recommended.

It is unadvised the utilization of other flammable fuels.

Note: Do NOT burn newspapers, cardboard, magazines, etc. A barbecue is not an incinerator.

4—Installation

4.1—Flammable materials

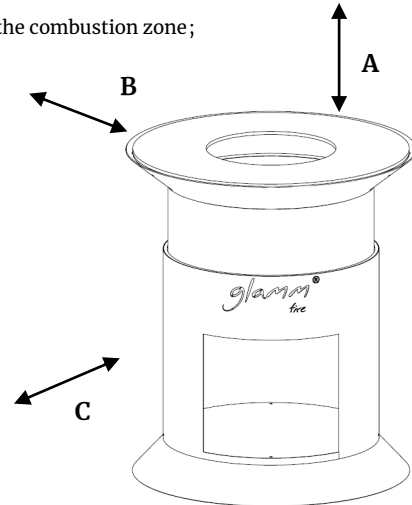
- Do NOT place flammable materials near the barbecue in a 5 meters radius;
- Trees and bushes as well as any other kind of vegetation should be at a 10 meters distance from the combustion zone;

4.2—Materials: stone/metal/ceramics

- A - 1000 mm;
- B - 1500 mm;
- C - 1500 mm;

4.3—Other non-flammable materials

- A - 1500 mm;
- B - 2000 mm;
- C - 2000mm;



5—Installation Procedures

The Grill/ Barbecue should be carefully unpacked, two persons are needed (minimum) for the assembly.

Place the fireplace in the desired location. The surface should be as level as possible.

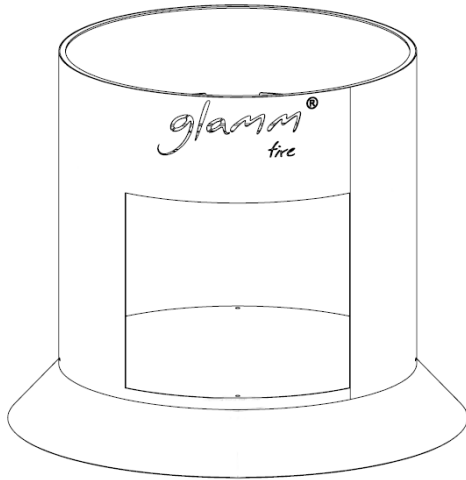


Figure 1 – Grill /Barbecue.

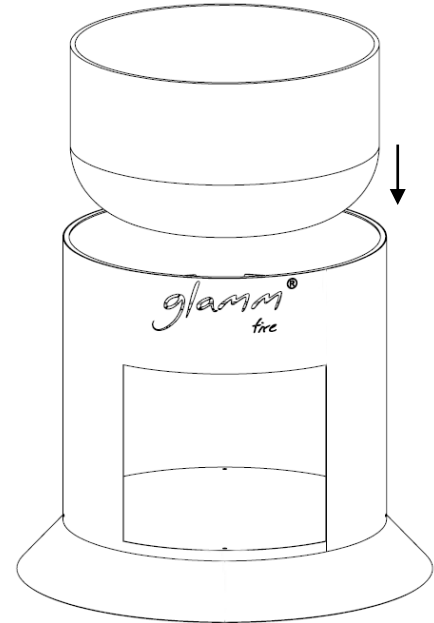


Figure 2 – Place the combustion zone (quartz dome) and make sure that it stays leveled.

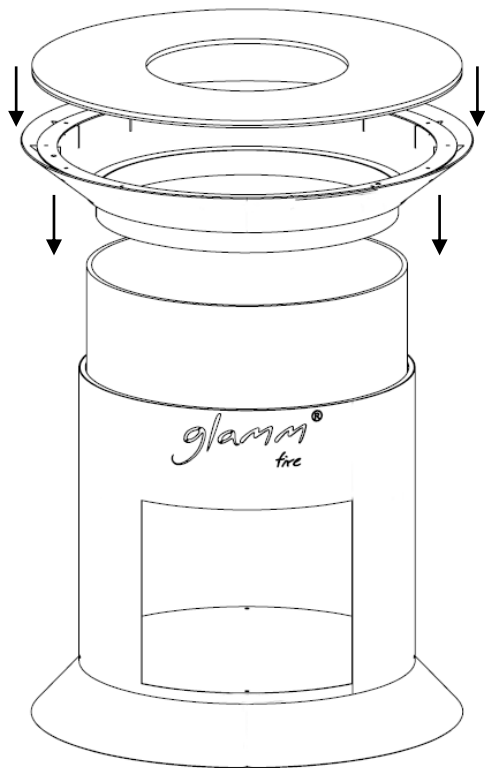


Figure 3 – Place the stainless steel cone on top of the dome quartz dome followed by the stainless steel plate.

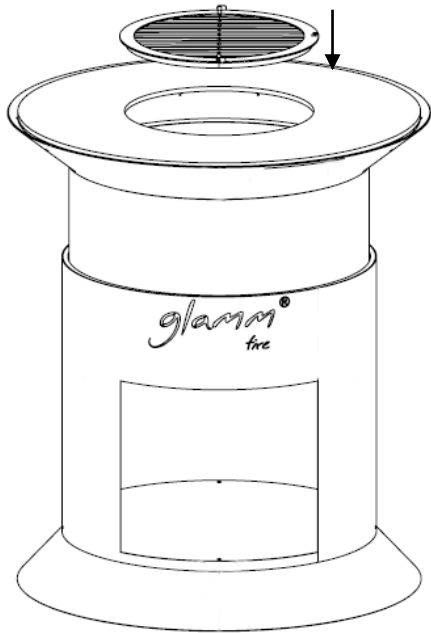


Figure 4 – Place the argentine grill.

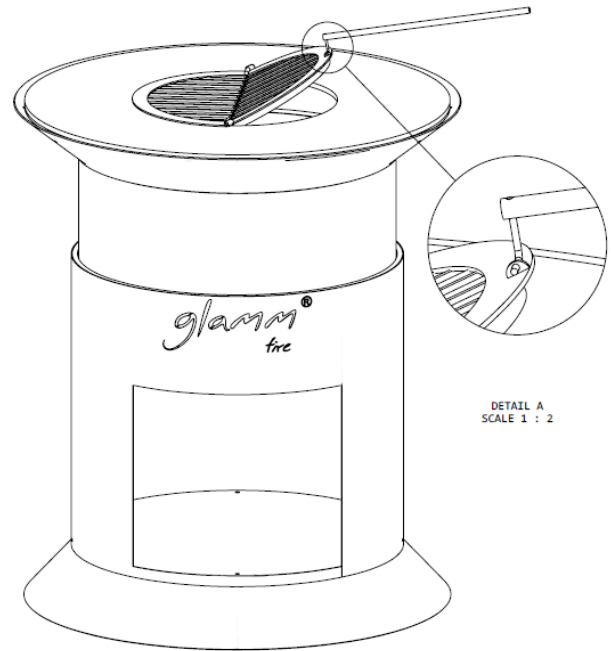


Figure 5 – Use the handle provided to lift one of the grill halves so that firewood can be placed inside the quartz dome.

Note: It is not possible to use the argentine grill when the round one is being used and vice-versa.

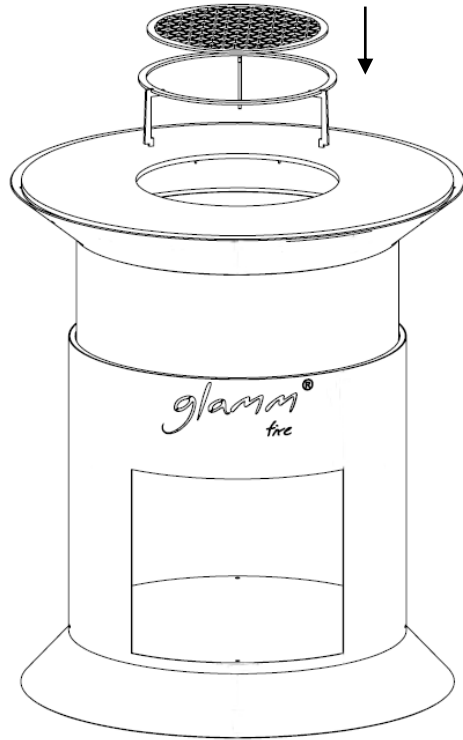


Figure 6 – Placement of the round top grill.

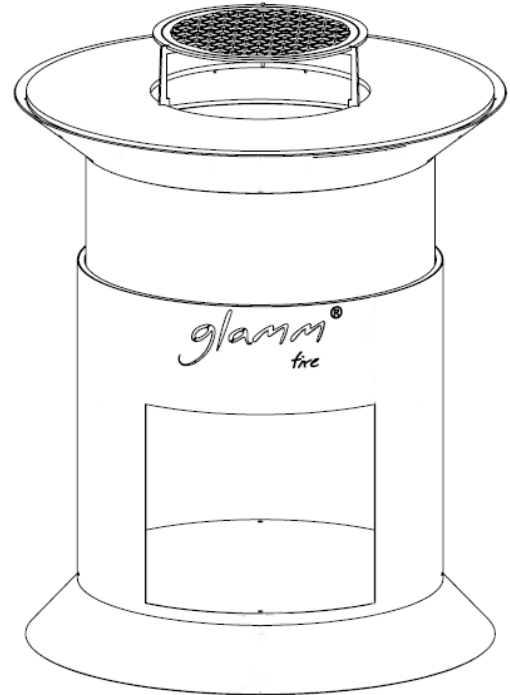
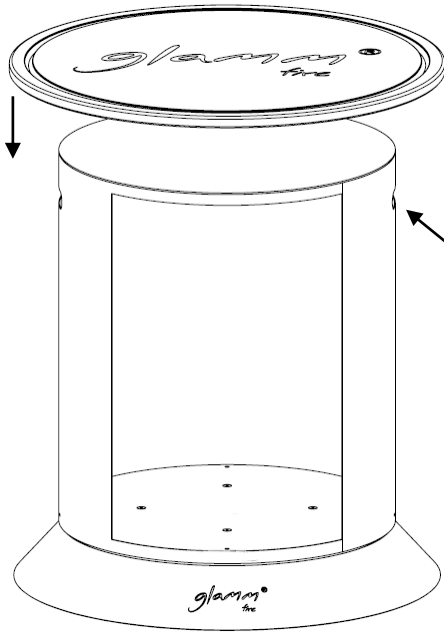


Figure 7 - Round top grill placed.

6—Firewood compartment/ Support table

The firewood compartment/support table is an option of the Grill/Barbecue in which is possible to storage firewood on the inferior compartment. It also works as a support table with a wooden lid on the top. The firewood also has the function of rotating 360°. It includes protection cover.



Note: The firewood compartment has openings on the side that serve as handles to allow its rotation.

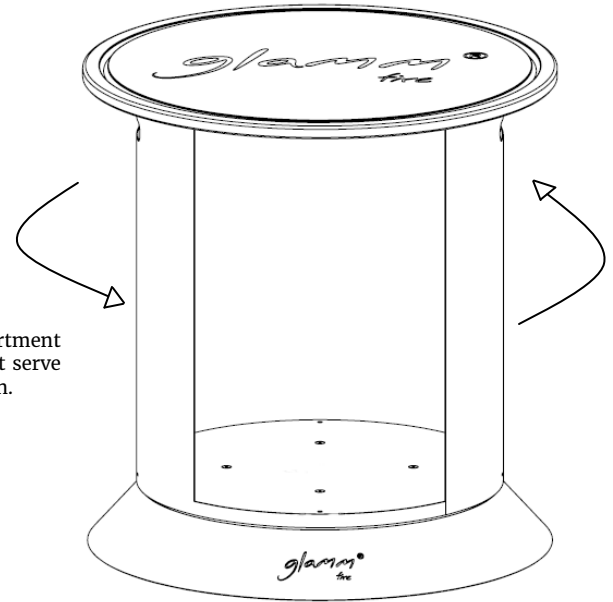


Figure 8 - Assembly of the wooden lid on the firewood compartment.

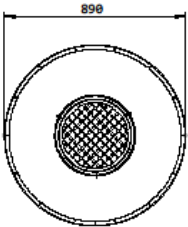
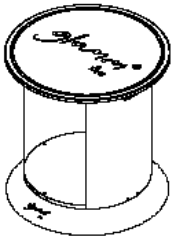
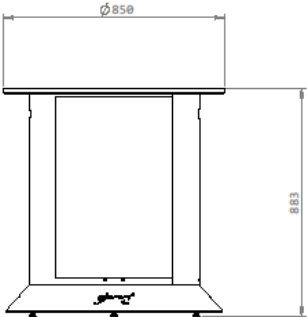
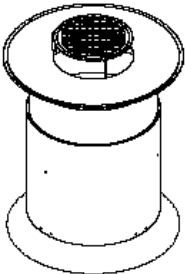
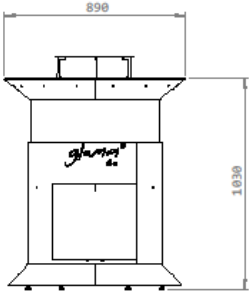
Figure 9 - Firewood compartment assembled with rotation function.

7—Maintenance

- Cleaning must be carried out with each use of the fire pit/ barbecue with wood or charcoal. Residues resulting from burning must be removed so that each use of the combustion is perfect;
- Never use chemicals not suitable for cleaning stainless steel;
- Do not use steel wool or abrasive sponges. The surface can be scratched by these;
- For food preparation utensils, they should be cleaned after each use with neutral PH detergents and then thoroughly rinsed in order to avoid any residue;
- Do not use petrol, ethanol or other liquids;
- Discard the ashes using the ash vacuum to clean. When the dome is empty it is already possible to clean with water as the surface is smooth;
- Please do not clean the quartz dome with moist ash as this may cause scratches on the material;
- You can use a chimney detergent to make cleaning easier;
- We do not recommend the use of wood with resin, otherwise it will be more difficult to clean the dome;

- GlammFire cannot be held responsible for any damages resulting from incorrect and / or fraudulent use of the product. GlammFire cannot also be held liable for failure to observe the instructions for cleaning or applying and / or using any other cleaning techniques;
- **Note:** Failure to comply with the above rules will void any factory warranty on all fire pits or barbecues, with the customer losing the right to require repair under warranty.

8—Overall Dimensions



measures in mm

9—After- Sales Service

In case of any anomaly, ask a specialized technician for advice.

10—Warranty

Thank you for acquiring a GlammFire product.

In order to activate your 2 years GlammFire warranty, please register your product on <http://www.glammfire.com/en/about/warranty> or fill you warranty card and send it with a purchase document copy with a 30 days deadline to our address. For further information please consult the chapter Warranty.

All of our Bio-ethanol Fireplaces and Burners, Electric Fireplaces, Fire Pits & Barbecues are warranted against manufacturing defects for a period of 2 years from the date of purchase.

This warranty does not cover replacement of glass, batteries, damage caused by accident or misuse of the appliance, or assembly / disassembly not indicated in the instruction manuals. If the product fails (not taking into account the events described above) during the warranty period, it will be replaced free of charge.

The warranty is exclusively applicable to the original purchaser and is not transferable in any case. All repairs must be carried out with the utmost care and by a qualified technician. The use of spare parts other than those specified by the manufacturer will void the warranty of the appliance.

IMPORTANT: Product registration does not require proof of purchase if it is made through our website and should be based on the date of purchase. It will be assumed that the information provided will accurately reflect the information on the proof of purchase, which will be required at the time of repair / replacement service for any / all products that are covered by the warranty.

If there is a conflict of information, the information indicated on the proof of purchase will be considered accurate and true and the guarantee will be evaluated accordingly.

GlammFire is always concerned with the environment. This is reflected when the projection of their products and their packaging. Focusing on the reduction of energy consumption, raw materials, natural resources and quantity of waste generated, GlammFire follows the policy of the 4R's (Reduce, Reuse, Recycle and Recover). Thus GlammFire have in mind the use of long lasting products as well as reusable and recyclable products.

GlammFire recommends reusing the packaging GlammFire separately and deposit plastic, paper, cardboard and glass in the appropriate collection point.

"In nature nothing is created, nothing is lost, everything is transformed." Antoine Laurent de Lavoisier

GlammFire fireplaces are manufactured under the strict Standard of the world recognized ISO 9001:2008 Quality Assurance Certificate.

GlammFire products are designed with superior components and materials, assembled by trained craftsmen who take great pride in their work.

Once assembled the complete fireplace is thoroughly inspected by a qualified technician before packaging to ensure that you, the customer, receive the quality product that you expect from GlammFire.

glamm[®]
fire



GlammFire
Recuperadores Pachinha, Lda.
Zona Industrial da Lagoa, Lote G1
4950-850 Monção
Portugal

info@glammfire.com

T. +351 251 654 800 | F. +351 251 654 801

www.glammfire.com



/ glammfire