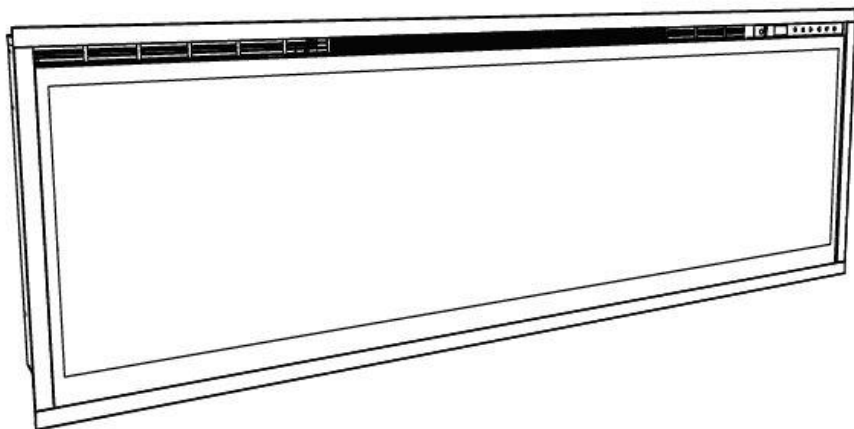


Electric



Altia

Dimensions Altia 50

L1306 a x 424 l x 147 p mm

Dimensions Altia 74

L 1915 mm x A 424 mm x P 147 mm

Type

Built-in

Voltage

220/240 V

Frequency

50 Hz

Power

1500 W—2500 W

BTUS: 5118/8530

Weight Altia 50

31 kg

Weight Altia 74

45 kg

The product complies with the European Safety Standards EN60335-2-30 and the European Standard Electromagnetic Compatibility (EMC) EN55014, EN60555-2 and EN60555-3 These cover the essential requirements of EEC Directives 2006/95/EC and 2004/108/EC.

glamm[®]
fire

Thank you for purchasing a GlammFire product.

To activate your GlammFire 2 years warranty, please register your product at www.glammfire.com/pt/sobre/garantia or complete your warranty card and send it to us, along with a purchase copy, to our address within 30 days after the purchase.

For more information check the Warranty chapter.

INDEX

1—Supplied material	4
2—Important Safety Advice	5
3—Installation	6
3.1— Mounting Methods	6
3.2— Fintal assembly	6
4—Controls	14
5— Maintenance	16
6—Overall Dimensions	17
7—After-Sale Service	18
8— Warranty	18

Congratulations on purchasing your GlammFire Electric appliance. This quality product has been designed with precision and rigour that characterizes us to offer you pleasant and soothing moments.

Please read the instructions for use carefully and effective before using the appliance.

Keep this Manual in a safe place.

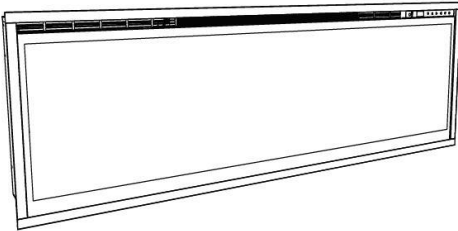
Please read this manual before using your appliance and keep it for future reference. All presented warnings must be respected.

The information provided in this manual is subject to change without notice.

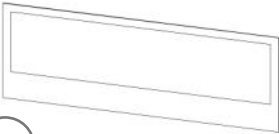
1—Supplied Material

Supplied Material:

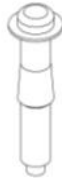
- 1— Fireplace
- 2— Frontglass
- 3— Screws (x12) and bushings (x4)
- 4— Remote control
- 5— Bag of decorative firewood (option)
- 6— Back glass
- 7— Level
- 8— Bag of firewood
- 9— 1x sucker
- 10— Decorative glass small and big



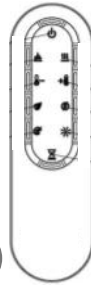
1



2



3



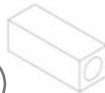
4



5



6



7



9



8



10

1 - IMPORTANT SAFETY ADVICE

PLEASE READ ALL THE INSTRUCTIONS BEFORE USING THIS APPLIANCE.

When using electrical appliances, basic precautions should always be followed to reduce the risk of fire, electrical shock and injury to persons, including the following:

If the appliance is damaged, check with the supplier before installation and operation.

Do not use outdoors.

Do not use in the immediate surroundings of a bath, shower or swimming pool.

Do not locate the appliance immediately below a fixed socket outlet or connection box.

This appliance is not intended for use by children under the age of 8 or other persons without proper care or supervision if their physical, sensory or mental capabilities prevent them from using it safely. Children should be supervised to ensure that they do not play with the appliance.

Do not use this appliance in series with a thermal control, a program controller, a timer or any other device that switches on the heat automatically, since a fire risk exists when the appliance is accidentally covered or displaced.

This appliance is not equipped with a device to control the room temperature. Do not use this appliance in small rooms when they are occupied by persons not capable of leaving the room on their own, unless constant supervision is provided.

Ensure that furniture, curtains or other combustible material are positioned no closer than 1 metre from the appliance. In the event of a fault unplug the appliance.

Unplug the appliance when not required for long periods.

Although this appliance complies with safety standards, we do not recommend its use on deep pile carpets or on long hair type of rugs.

The appliance must be positioned so that the plug is accessible.

If the supply cord is damaged it must be replaced by the manufacturer or service agent or a similarly qualified person in order to avoid a hazard.

Keep the supply cord away from the front of the appliance.

WARNING: In order to avoid overheating, do not cover the appliance. Do not place material or garments on the appliance, or obstruct the air circulation around the appliance, for instance by curtains or furniture, as this could cause overheating and a fire risk.

WARNING: In order to avoid a hazard due to inadvertent resetting of the thermal cut-out, this appliance must not be supplied through an external switching device, such as a timer, or connected to a circuit that is regularly switched on and off by the utility.

CAUTION - Some parts of this product can become very hot and cause burns. Particular attention has to be given where children and vulnerable people are present.



The Heater carries the Warning symbol indicating that it must not be covered.

3 - INSTALLATION

CAUTION: Ensure installation does not allow fireplace to be in direct contact with building vapor barrier or insulation and meets all local building code.

NOTE: A dedicated, properly fused 13 Amp circuit is required, rated for the appropriate voltage (230-240V).

WARNING: Construction and wiring must comply with local building codes and other applicable regulations to reduce the risk of fire, electric shock and injury to persons.

WARNING: To reduce the risk of fire, electric shock or injury to persons, always use a licensed electrician.

WARNING: To reduce the risk of fire, do not store or use gasoline or other flammable vapors or liquids in the vicinity of the heater.

1. Select a location that is not susceptible to moisture and is away from drapes, furniture and high traffic
2. Unpack the fireplace and hardware from the box.

NOTE: Leave the front glass and partially reflective glass, safely, in the box until the time you are ready to install it.

3. Store the fireplace in a safe, dry and dust free location until you are ready to install the fireplace.

3.1 INSTALLATION PROCEDURES

CAUTION: Two people will be required for various steps of this procedure.

This design of this unit allows three options for installation: partial recess, flush mounted or sub surface mounted.

CAUTION: Two Sub-surface mounting should be limited to ½ in. (12 mm) to ensure adequate air flow of heated air out of the firebox area.

1. Prepare a wall with a framed opening of 16 in. (40.6 cm) high, Altia 50 in. (128.7 cm), Altia74 in. (189.7 cm) wide, with a bottom sill that is a minimum of 4 in. (10.2 cm) deep. The sill can be constructed to support the front of the unit to allow the power supply wires to easily be run behind or flush with the back of the unit and a pass thru hole drilled for electrical wire routing.

NOTE: It is recommended that the bottom of the unit be mounted between 30 in. (76.2 cm) and 40 in. (102 cm) from the ground to maintain an optimized viewing angle of the flame.

WARNING: Do not attempt to wire your own new circuits. To reduce the risk of fire, electric shock or injury to persons, always use a licensed electrician.

WARNING: Ensure that the circuit on which the fireplace is to be installed has the power cut off at the service panel until installation is complete.

2. The unit is provided with an installed ¾ in. (2.0 cm) trim. Depending on the installation, this trim can be removed by removing the securing screws and the 4 pieces.
3. Lift fireplace, from the bottom and the handles located on the back, and insert into opening to the desired depth.
4. Using a bubble level (supplied) ensure that the fireplace is level within the framing. Adjust as required.
5. Drive four supplied mounting screws through the four mounting holes located on the inside surface of the fireplace chassis, into wall studs (Figure 2).

Figure 2.

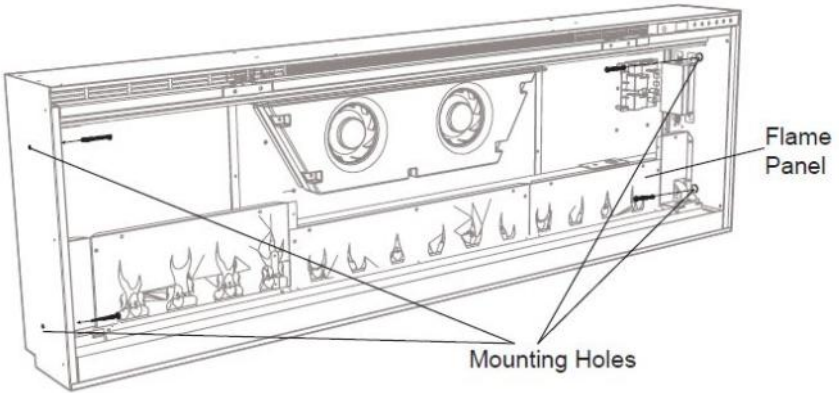
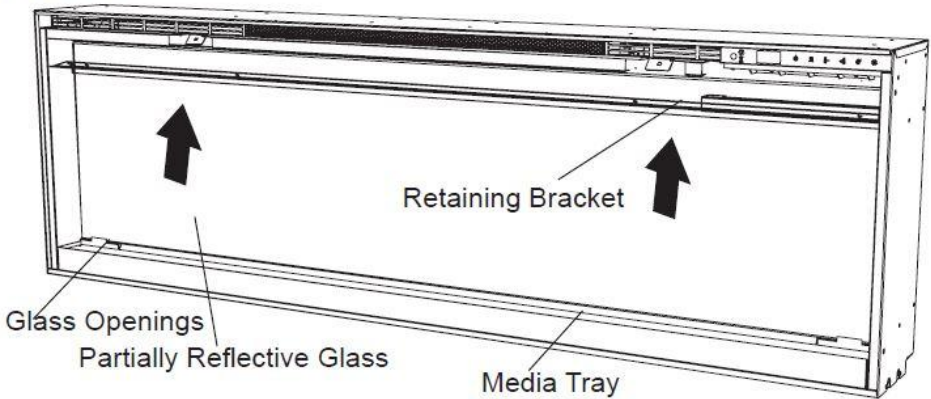


Figure 3.



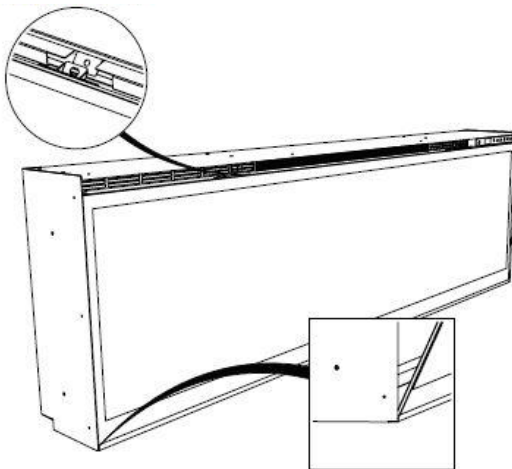
To prevent electrical shock this unit is an electrical appliance that is **NOT** watertight and must be installed as to prevent water from entering unit. This must be installed away from showers, tubs, etc. Never locate fireplace where it may fall into a bathtub or other water container.

FINAL ASSEMBLY

1. Locate and remove the 12 screws securing the partially reflective glass bracket to the unit, along the top of the opening, and set bracket and screws aside.
2. Remove the provided suction cup from the inside cavity of the unit (only for Altia 74).
3. Before installation ensure that the front glass and the partially reflective glass are clean. Particles can be removed by dusting lightly with a clean dry cloth. To remove fingerprint or other marks, the glass can be cleaned with a damp cloth. Ensure that the glass has completely dried before installation.
4. Carefully secure the suction cup to the partially reflective glass, reflective side out, and place into the openings on either side of the unit.
5. Tip the glass into the unit and using the removed screws secure the glass into the unit with the provided bracket (Figure 3). Remove the suction cup.
6. Evenly space the large media in the media tray along the back of the media tray (for optimum media effect), then carefully pour and evenly distribute the smaller media into the Media Tray.
7. Carefully place the front glass into the lip located at the bottom of the opening of the firebox.
8. Tip the front glass into the unit and secure using the provided screws and Allen key. Figure 4).

NOTE: Ensure that the suction cup and Allen key are kept for any future maintenance or service.

Figure 4.



FIXED WIRING

In some jurisdictions this appliance is supplied without a plug this is to comply with the local regulations. In such instances this appliance must be installed by a suitably qualified installer and the means for disconnection must be incorporated in the fixed wiring in accordance with the local wiring rules.

4 - OPERATION

WARNING: This electric firebox must be properly installed before it is used.

This firebox operates with ComfortSaver™ Technology, which automatically adjusts the fan speed and heater wattage to safely and precisely match the requirements of the room based on the thermostat setting. The heater operates such that once the room reaches the set point, the fan and heater will continuously run at a low level, to maintain the desired room temperature. If the temperature in the room rises significantly, i.e. sun coming through a window or a central furnace turns on, the heater will turn off and periodically turn back on to circulate the air around the unit, until the room temperature drops and requires the heater to be constantly on again.

NOTE: The unit is designed so that the fan will run continuously while the heater is on.

NOTA: The element retains heat after shutdown, there is a built in cool down period of 2 minute before the fan shuts off completely, when the heat function is turned Off.

REMOTE CONTROL

The fireplace is supplied with an IR multi-function remote control.

NOTE: To operate correctly, the remote control must be pointed towards the front of the unit.

Controls

The unit can be controlled by either the manual controls which are located on the upper right of the fireplace or the remote (Figure 5 & 6).



A. Standby - Turns the unit On and Off

Activated by pressing the Standby button on the remote or the unit.

The unit will turn On with the same functions that it was set to when it was turned Off and the intake temperature will be indicated on the display.

NOTE: When any button is pressed on the unit the intake temperature will be displayed on the Display for 7 seconds



B. Flame effects- Turns the flame effect On and Off

Ativado após pressionar o interruptor efeito chama no controle remoto.



C. Heat ON/OFF - Turns the heater On and Off.

Activade by pressing the heat button on the remote or on the

Indicated by pressing the heat icon and the setpoint temperature will flash on the display, then the intake temperature will be displayed before turning off.

NOTE: After the heater is switched off, there is a 2 minute fan delay, where the fan will continue running before turning off.

NOTE: The heater may emit a slight, harmless odor when first used. This odor is a normal condition caused by initial heating of internal heater parts and will not occur again.


NOTE: The unit can be operated in **Heat Only Mode**. When the unit



D. Temperature Down - Decreases the temperature setting.

Adjusted by repeatedly pressing the corresponding button on the remote.*

Indicated by setpoint temperature on the Display decreasing and the speed of the fan decreasing to reduce the amount of heat being projected into the room.**



 **E. Temperature Up** - Increases the temperature setting.


Adjusted by repeatedly pressing the corresponding button on the remote.*

Indicated by the setpoint on the Display increasing and the speed of the fan increasing to increase the amount of heat being projected into the room.**

* The first time the button is pressed the current temperature set point will be displayed for 2 seconds


** The temperature can be adjusted from 5°C to 37°C (41°F to 99°F).

NOTE: Holding the  and  the buttons down for two seconds, on the unit, will change the temperature scale from °C to °F, or vice versa.

 **F. ECO Operation** - Runs the heater in a reduced wattage range when activated.

Adjusted by pressing the corresponding button on the remote when the heater is on.

Indicated by the display and a reduced fan speed.



 **G. Heat Boost** - Turns the heater Boost on and off. Runs the unit at the full rated wattage.

Activated and adjusted by repeatedly pressing the corresponding button on the remote.


Indicated by the heater running at full heat, for a user set amount of time, to quickly heat up a cold room/space. The Heat Boost can be set for a maximum of 20 minutes, in 5 minute increments.

Disable Heat

If desired, depending on the season, the heater on the unit can be disabled. The function of the remaining controls will continue to function as outlined in this manual.

Pressing the  and  buttons on the unit at the same time and holding for 2 seconds will disable and enable the heater.


NOTE: When the heater has been disabled and any of the heat related functions are used, the display will indicate “---”.


 **H. Color Themes** –Different presets of lighting color combinations are available in the unit.

Changed by repeatedly pressing the corresponding button on the remote or the unit.

Cycles through the different preset light settings of the unit, this includes different combinations of colors of the flame base and media lighting.


NOTE: Two of the themes in the cycle are a prism where the unit cycles through a variety of colors.

Pressing the  stops the cycling and holds the unit on the preferred color, indicated by a solid circle. When the unit is on prism, and is cycling through the colors, a rotating circle will be displayed.

 **I. Brightness** - Changes the brightness of the lights in the unit.


Adjusted by repeatedly pressing the corresponding button on the remote or the unit.

Indicated by the second digit on the Display changing to show: “H” (High), and “L” (Low).

 **J. Sleep timer**– The sleep timer can be set to automatically shut off the fireplace after a preset time (from 30 minutes to 8 hours).


To set the timer press the timer button on the remote, repeatedly, until the desired time is displayed.

The display will display the different times as it is adjusted. Once the timer has begun, pressing the timer button will display the time remaining before the unit turns Off.

NOTE: The sleep timer can be cancelled at any time by pressing the button  repeatedly until the timer displays nothing.

Resetting the Temperature Cutoff Swithc - Should the heater overheat, an automatic cut out will turn the whole unit off and it will not come back on without being reset. If the button on the unit is pressed, Er2 will be displayed on the unit. It can be reset by turning the unit off at the main disconnect panel and waiting 5 minutes before turning the unit back on.

CAUTION: If you need to continuously reset the heater, turn the unit off at the main disconnect panel and call technical support.

1. Slide battery cover open on the remote control.
2. Correctly install one 3 Volt (CR2032 [longer life] or CR2025) Battery in the battery holder. 
3. Close the battery cover.

Battery must be recycled or disposed of properly. Check with your Local Authority or Retailer for recycling advice in your area.

Figura 5.

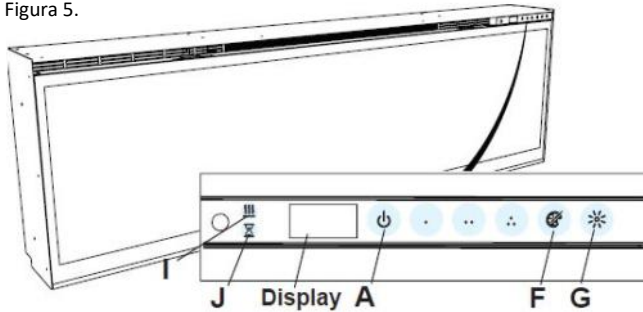
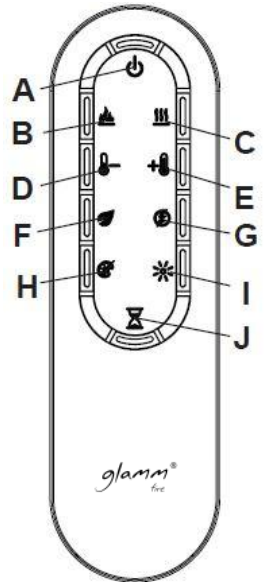


Figura 6.



5 - MAINTENANCE

WARNING: Disconnect power and allow heater to cool before attempting any maintenance or cleaning to reduce the risk of fire, electric shock or damage to persons.

NOTE: The fireplace should not be operated with an accumulation of dust or dirt on or in the unit, as this can cause a build up of heat and eventual damage. For this reason the heater must be inspected regularly, depending upon conditions and at a minimum yearly intervals.

Partially Reflective Glass Cleaning

The partially reflective glass is cleaned in the factory during the assembly operation. During shipment, installation, handling, etc., the partially reflective glass may collect dust particles; these can be removed by dusting lightly with a clean dry cloth.

To remove fingerprints or other marks, the partially reflective glass can be cleaned with a damp cloth. The partially reflective glass should be completely dried with a lint free cloth to prevent water spots. To prevent scratching, do not use abrasive cleaners.

Fireplace Surface Cleaning

Use only a damp cloth to clean painted surfaces of the fireplace Do not use abrasive cleaners.

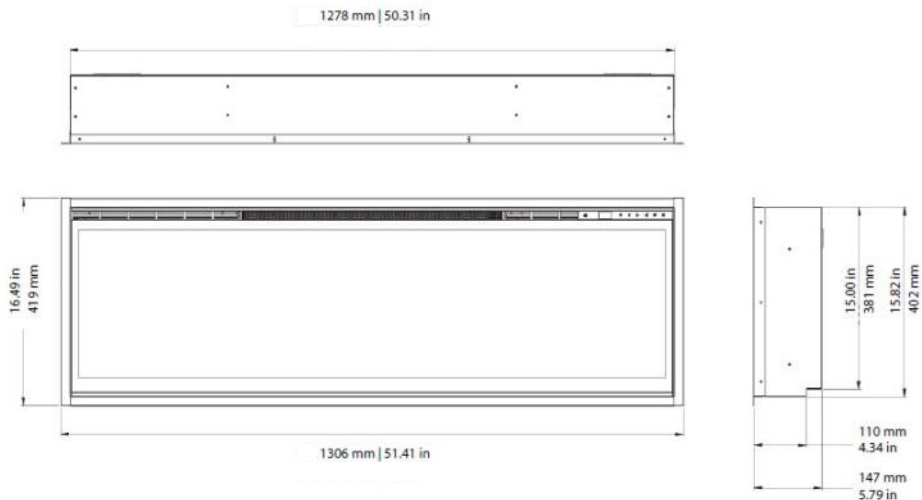
Recycling

For electrical products sold within the European Community.

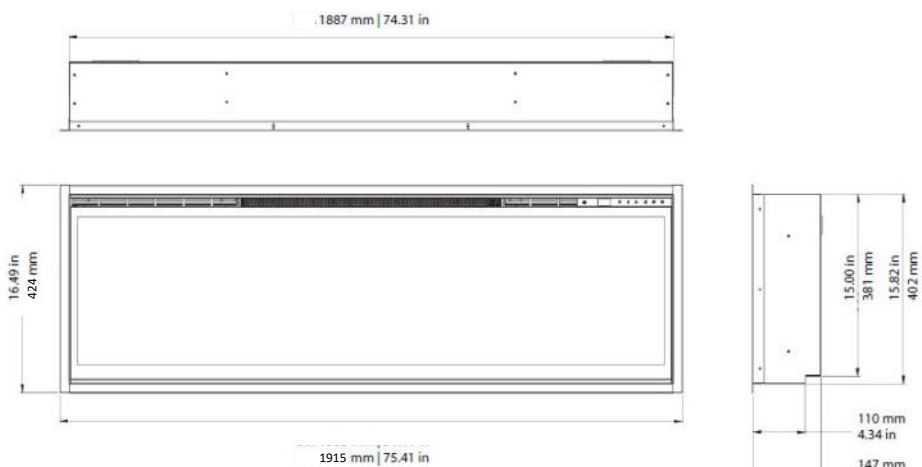
At the end of the electrical products useful life it should not be disposed of with household waste. Please recycle where facilities exist. Check with your Local Authority or retailer for recycling advice in your country.



6 - OVERALL DIMENSIONS



Altia 50



Altia 74

7- AFTER SALES SERVICE

In case of doubt or any anomaly, do not use the fireplace and please contact a specialized technician.

8- WARRANTY

In order to activate your GlammFire 2 year warranty, please register your new GlammFire product at www.glammfire.com/en/about/warranty or complete your warranty card and return it to us, along with a copy of the proof of purchase, at our address within 30 days of purchase.

All our Bioethanol Fireplaces and Burners, Electric Fireplaces, Fire Pits & Barbecues carry a warranty against defects of manufacture and faulty workmanship for a period of 2 years from the date of purchase.

This warranty does not cover glass replacement, batteries, whose lifespan, regretfully, we cannot predict, damage caused by accident or misuse of the appliance, or the assembly/disassembly not indicated in the instruction manuals. If the product fails during normal and proper use (not considering the above mentioned events) within the warranty period, GlammFire will replace the product free of charge.

Our warranty is offered as an addition to your statutory rights. It is applicable to the original purchaser only, non-transferable. All repairs must only be fitted by an authorised service technician. Use of spare parts other than those supplied by the manufacturer will invalidate the appliance warranty and must only be fitted by an authorised service technician.

IMPORTANT: Registering your product does not require proof of purchase, if it will be made on our website, and must be based on the date of purchase. It will be assumed that registration information accurately reflects the information on the proof of purchase which will be required upon servicing of any/all products under warranty.

If the information conflicts, information stated on the proof of purchase will be deemed accurate and true and warranty will be assessed accordingly.

The GlammFire is always concerned with the environment. This is reflected when the projection of their products and their packaging. Focusing on the reduction of energy consumption, raw materials, natural resources and quantity of waste generated, GlammFire follows the policy of the 4R's (Reduce, Reuse, Recycle and Recover). Thus GlammFire have in mind the use of long lasting products as well as reusable and recyclable products.

The GlammFire recommend reusing the packaging GlammFire separately and deposit plastic, paper, cardboard and glass in the appropriate collection point.

"In nature nothing is created, nothing is lost, everything is transformed."

Antoine Laurent de Lavoisier

Equipment:	Guarantee beneficiary:
Version:	Adress:
Controller:	Tel.:
	Availability date:
	Local.....Date.....
	Signature
Series and Guarantee numbers:	
Distributor code:	
Name and Adress of the distribuidor:	

GlammFire fireplaces are manufactured under the strict Standard of the world recognized ISO 9001:2008 Quality Assurance Certificate.

GlammFire products are designed with superior components and materials, assembled by trained craftsmen who take great pride in their work.

Once assembled the complete fireplace is thoroughly inspected by a qualified technician before packaging to ensure that you, the customer, receive the quality product that you expect from GlammFire.

glamm[®]
fire

Recuperadores Pachinha Lda.
Zona Industrial da Lagoa, Lote G1
4950-850 CORTES - MONÇÃO PORTUGAL
Tel(+351) 251 654 800
Fax(+351) 251 654 801
info@glammfire.com
www.glammfire.com



Management
System
ISO 9001:2015



www.tuv.com
ID 9105063633