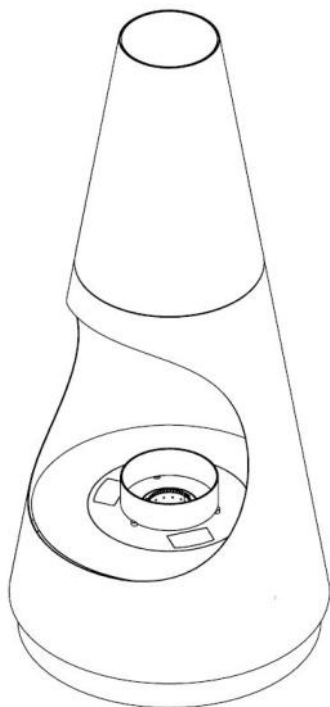


Crea7ion Plus



INSTRUCTIONS MANUAL

ARCHIMEDES

glamm[®]
fire

Thank you for purchasing a GlammFire product.

In order to activate your 2-year GlammFire warranty, please register your GlammFire product at www.GlammFire.com/pt/sobre/garantia or complete your warranty card and send it to us along with a purchase copy, to our address, within 30 days after the purchase.

For more information please check the Warranty chapter.

INDEX

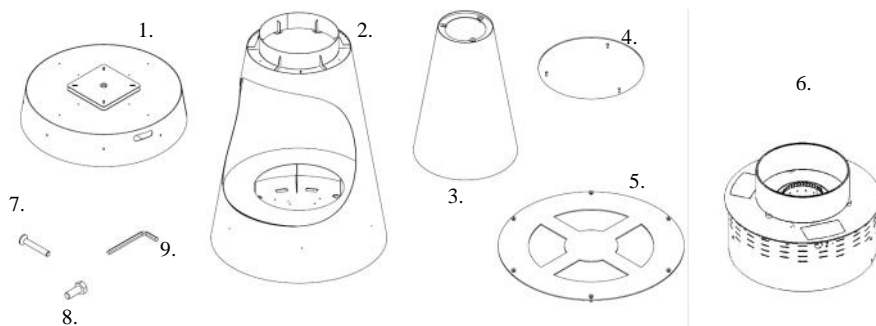
1—Supplied Material	4
2—Components	4
3—Safety Instructions	5
3.1—Ventilation	5
3.2—Cautions	5
4—Fuel	7
4.1—Bioethanol – The adequate fuel	7
5—Installlation	8
5.1—Flammable Materials	8
5.2—Materials: Stone/ Metal/ Ceramics	8
6—Installation Procedure	9
7—Maintenance	14
8—Overrall Dimensions	15
9—After—Sales Service	16
10—Warranty	16

Please read this Instructions Manual carefully before using your decorative fireplace. It contains important operating and maintenance instructions that should be followed correctly in order to ensure a durable use of your decorative fireplace.

All presented cautions and warnings must be respected. Keep this manual for future reference.

This Instructions Manual is subject to change without notice.

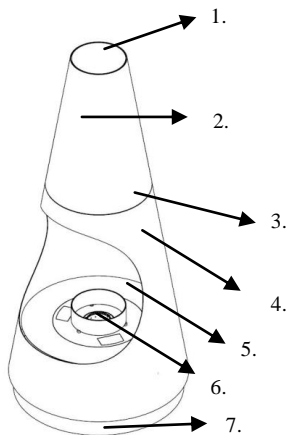
1—Supplied Material



- 1- Base
- 2- Intermediate body
- 3- Superior cone
- 4- Superior cover

- 5- Adjustment plate
- 6- 1x Burner EvoPlus Fire Round
- 7- 3x Screw M6x40mm
- 8- 4x Parafuso M8x20mm hexagonal head
- 9- 1x Hexagonal key 4mm

2—Components



- 1- Superior cover
- 2- Superior cone
- 3- Superior intermediate body
- 4- Intermediate body
- 5- Inferior intermediate body
- 6- Crea7ion Evoplus Fire Round
- 7- Fireplace base

3 - Safety Instructions

3.1—Ventilation:

It is recommended that you keep a good ventilation of the area, in order to ensure a healthy level of oxygen.

Bioethanol combustion releases carbon dioxide (CO₂) and water (H₂O). The combustion requires oxygen, therefore the area where the fireplace is should have adequate ventilation with ventilation grids or other means, to allow air quality and circulation.

3.2—Cautions:

GlammFire is concerned about your safety, therefore we have taken all necessary consideration for conception, fabrication, assembly and transport, to ensure perfect functioning.

We therefore ask you to thoroughly follow our instructions for assembly, use and maintenance.

- Do not cover your decorative fireplace;
- Keep it away from flames, ignition sources and flammable materials;
- Do not place the fireplace near windows or doors that can create drafts. These drafts may cause irregular functioning;
- Do not blow to the combustion fire line when igniting or during normal functioning of the fireplace;
- Keep a regular watch during use of the fireplace;
- Keep children and animals away from the fireplace. Children do not recognize danger. Therefore make sure children are kept at a safe distance;
- Keep children watched when the fireplace is working;
- The fireplace should not be exposed to direct sunlight or any heat source, as it may damage its materials;

-If you spill bioethanol onto the floor, you must absorb it with a cloth, and then clean with a wet cloth, to avoid ignition outside the combustion fire line and stains on the floor;

-In case you spill bioethanol in the fireplace clean it immediately with a wet cloth, to avoid ignition outside the combustion fire line and damages to the finishing of the fireplace (paint, lacquers, leathees, amongst others);

Attention: While working the fireplace may achieve very high temperatures. Therefore avoid touching it. Areas of potential contact with skin may cause burns;

-Do not fill the combustion fire line while hot, wait for it to cool down;

-Never pour bioethanol over the flame;

-After extinction of the flame wait approximately 15 minutes before handling the fireplace;

-In case of fire use a fire blanket or a fire extinguisher;

-Do not use water to extinguish the fire;

-Do not use chemical products to clean the fireplace, as they may damage the materials. When in doubt contact an authorized dealer;

- When extinguishing the flame some small residual flames may remain at the point of fuel inlet for approximately 2 to 10 minutes. At the end of this time the flame will extinguish naturally;

-If bioethanol pours out during the process of filling up the tank, clean it as well as the surrounding area, before using it again;

-Decorative stones, wood or other accessories should not be placed directly on top of the burning area. Should you use decorative accessories make sure:

-The accessories do not interfere with the flame;

-Are only for decorating the fireplaces and combustion fires;

-There is no risk of falling inside the combustion fire.

4 - Fuel

4.1—Bioethanol – The adequate fuel

GlammFire fireplaces are designed to work with quality bioethanol, fully tested. Only this fuel ensures clean and efficient.

- Higher probability of malfunction;
- Reduction in durability of the system;
- Incomplete and inefficient combustion;
- Smoke and odours;
- Residues inside the combustion fire line.

-Bioethanol is internationally recognized as being the major source of renewable energy, 100% ecological and environmentally friendly. It is made from fermentation and distillation of sugars from plants, such as sugar cane, potato, beetroot and cereals;

-The use of bioethanol guarantees a reduction of 85% in CO₂ emissions, therefore contributing for the reduction of global warming;

- Use only liquid bioethanol as fuel. Only bioethanol will make a clean and perfect combustion;
- Keep bioethanol away from children and animals, as well as from a working fireplace;
- Avoid contact with eyes and skin;
- Do not drink bioethanol. In case you do go to the nearest hospital;
- Bioethanol should be kept at a minimum distance of 1 m from the fireplace;
- Do not place bioethanol in front of the fireplace;
- For security reasons bioethanol should be stored at a room temperature of approximately 20 C°.
- Use only liquid bioethanol, recommended by GlammFire.

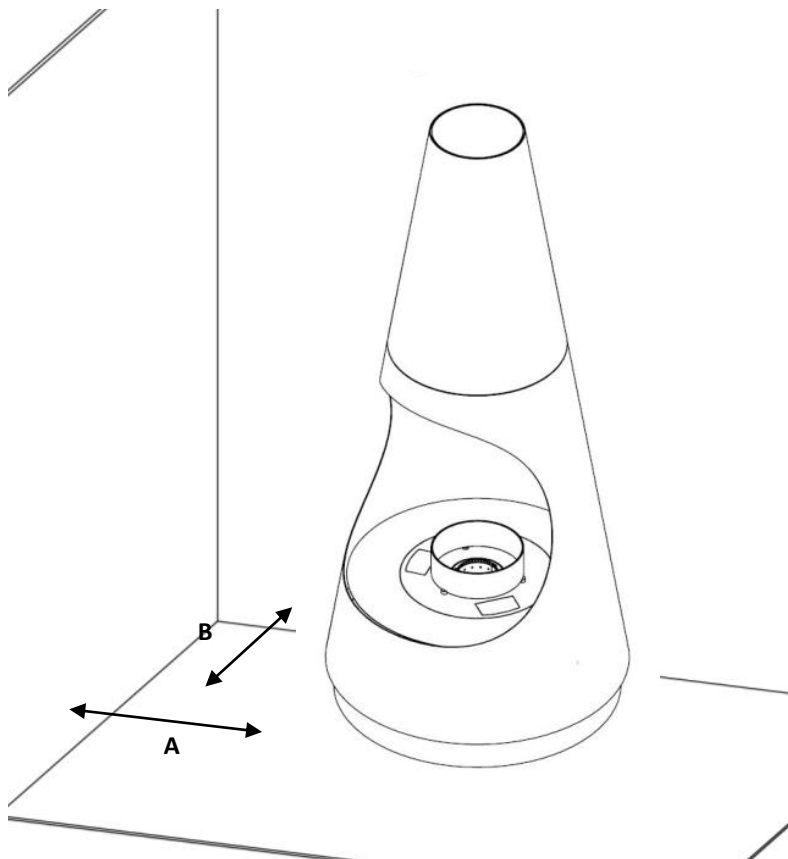
5—Installation

5.1—Flammable materials

- Do not place flammable materials near the fireplace, within 1m;
- Racks or shelves should be distant 1m from the combustion fire line;

5.2—Materials: stone/metal/ceramics

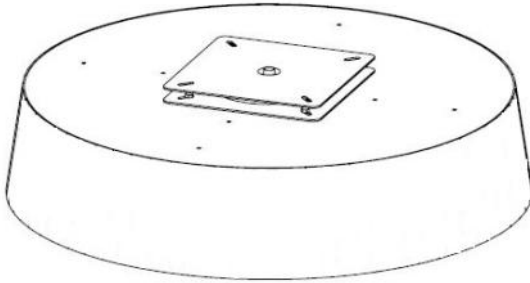
- A - 150 mm;
- B - 150 mm;



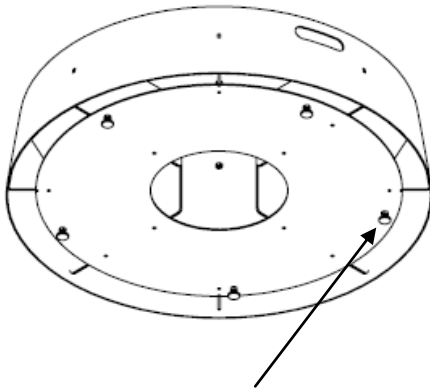
6—Installation Procedures

For this procedure you will need at list two people.

To start the mounting of the Archimedes fireplace you should make sure that you are putting it on a place where the safety measures are being respected, as described in the previous page. The next step is to check if the base doesn't balance which can be made through the leveler feet of the inferior part of the base.



Superior view of the base

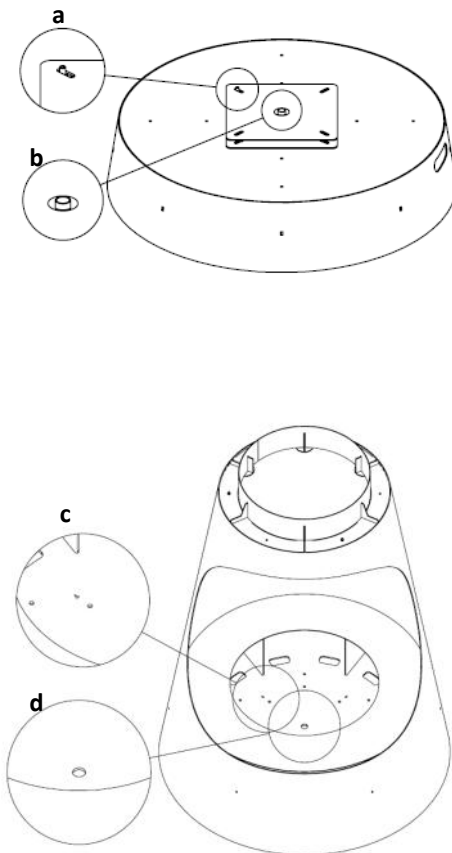


Inferior view of the base

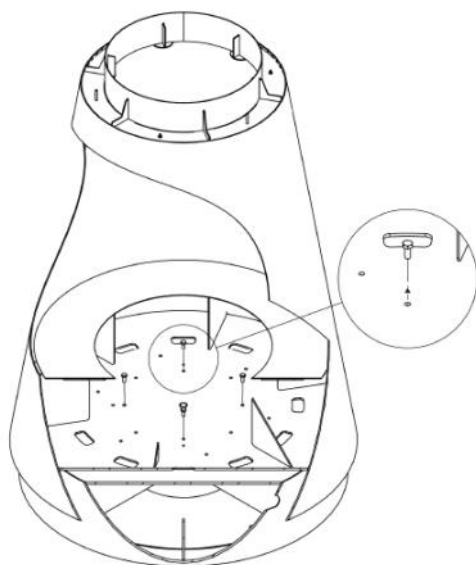
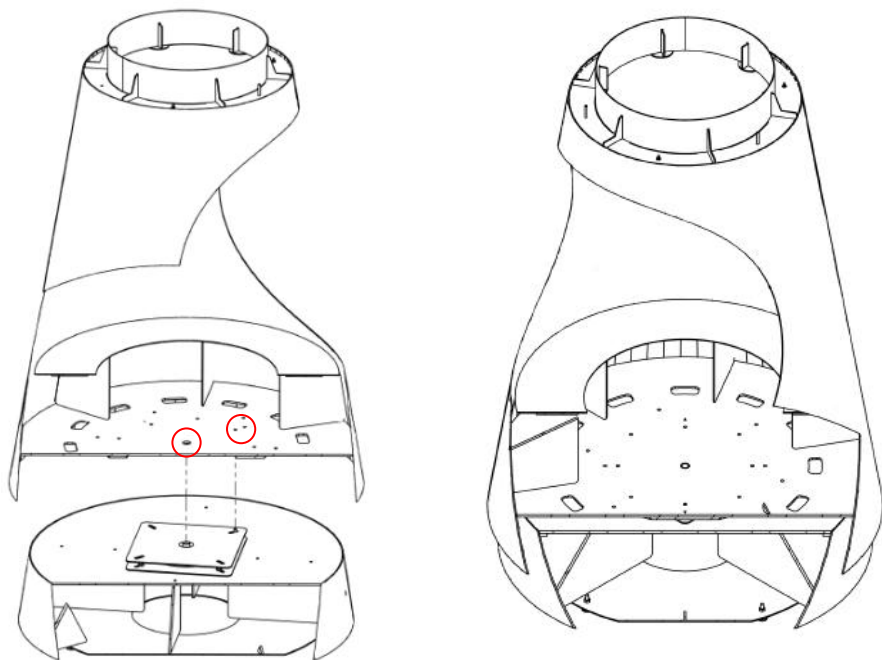
Leveler feet

Proceed with the installation of the base with the intermediate body, where the pin (a) and the center tube (b) fit in the hole present in the intermediate body (holes c (anyone of the holes marked with a triangle) and d (center hole, respectively)). With the base on the ground, pick up the central body and while landing it make sure the pin and the tube are placed in the right place (e), staying has represented in the image (f).

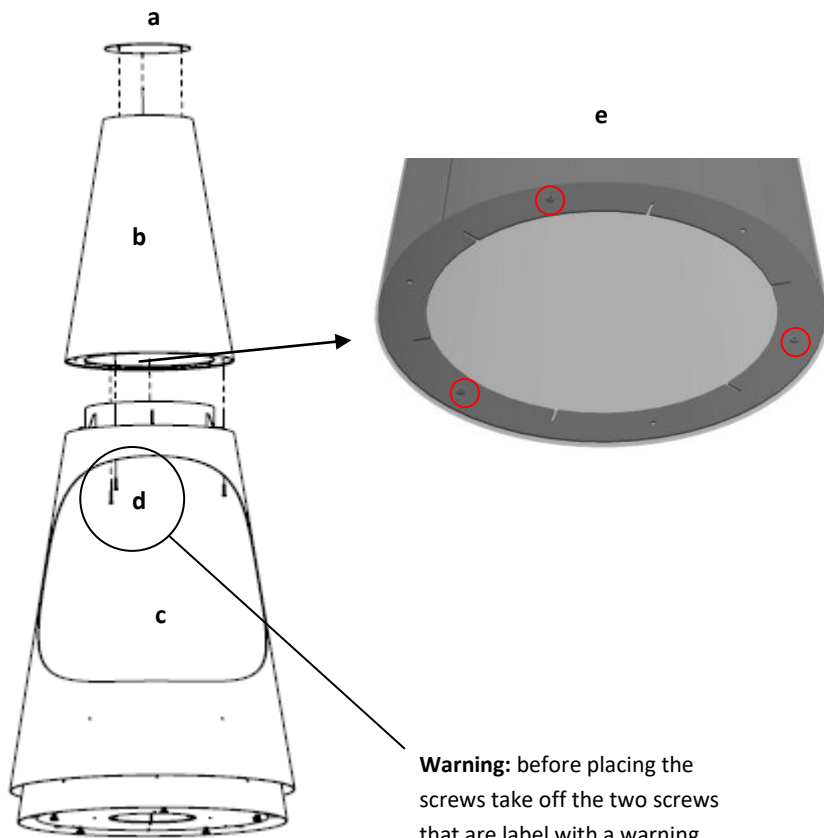
Remove the positioning pin and tighten the intermediate body to the base on the marked holes with a triangle with four screws M8x20mm of hexagonal head (g).



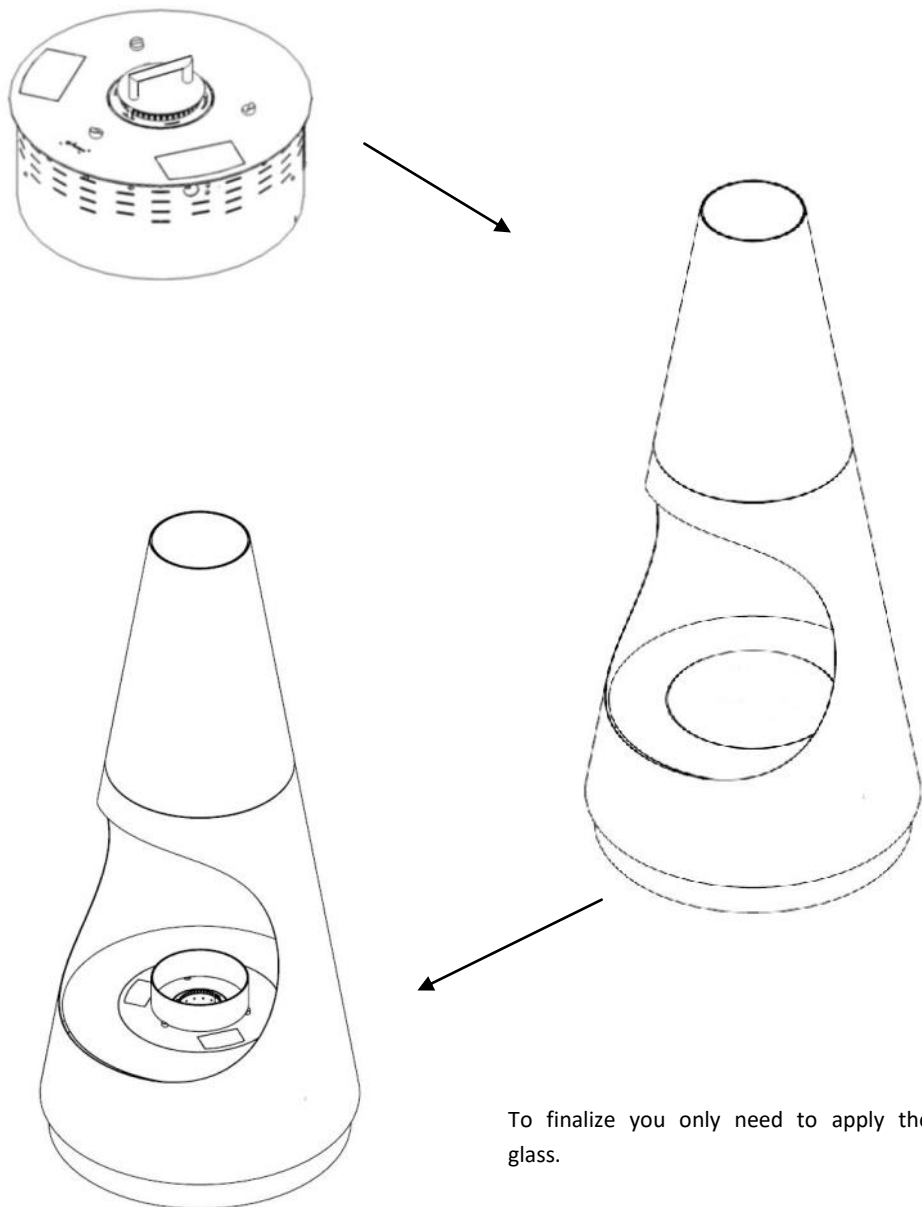
Intermediate body



Next, pick the superior cone (b) and put it on top of the structure that is already set (c). Make sure that the hole that exists on the superior cone has a nut (e) that matches with a free hole existent in the intermediate body. Squeeze both structures using three screws of conic head M6x40mm(d) , putting them from the bottom. The next step is to put the superior cover (a) and to put it on the pins on the holes of the superior hole.



Then place the EvoPlus Fire Round burner using the handle supplied to assist in its handling (see burner's instructions manual, chapter: Installation Procedures).

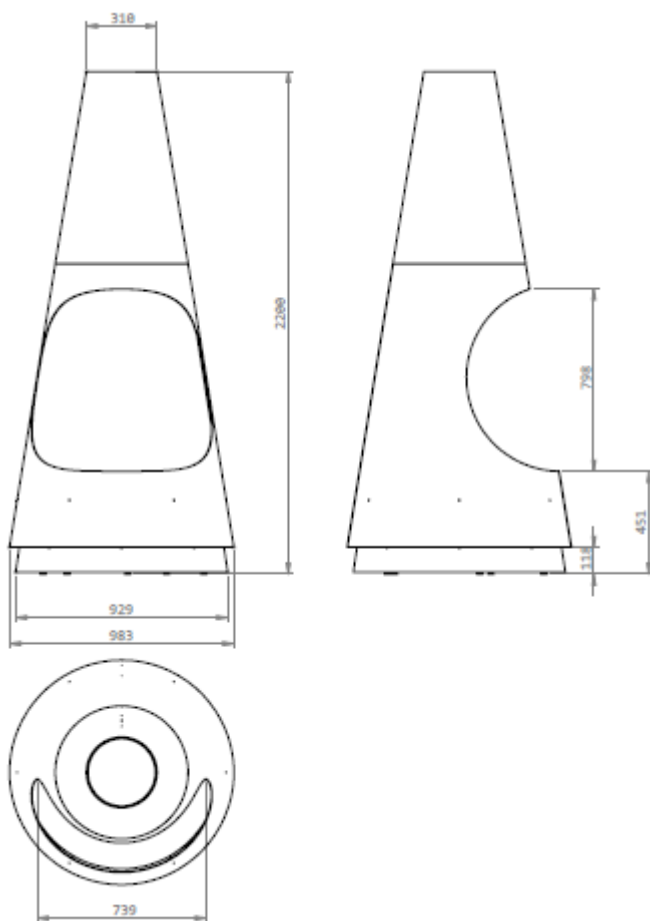


7—Maintenance

- The combustion fire line should be cleaned regularly using a damp cloth with bioethanol;
- The more persistent marks can be removed using a soft cloth moistened in bioethanol;
- Never use chemicals not suitable for cleaning stainless steel;
- Do not use steel-wool or abrasive sponges. The surface can be scratched by them;
- The manufacturer is not liable for any damage arising from misuse and/or fraudulent of the product. The manufacturer also can not be blamed for the failure to observe the cleaning or application instructions and/ or use of any other cleaning techniques;

Note: Failure to follow the above rules eliminates any factory warranty on all models or fireplaces, losing the customer the right to require repair under warranty.

8—Overall Dimensions



9—After-Sales Service

In case of doubt or any anomaly, do not use the fireplace and please contact a specialized technician.

10 - Warranty

In order to activate your GlammFire 2 year warranty, please register your new GlammFire product at www.GlammFire.com/en/about/warranty or complete your warranty card and return it to us, along with a copy of the proof of purchase, at our address within 30 days of purchase.

All our Bioethanol Fireplaces and Burners, Electric Fireplaces, Fire Pits & Barbecues carry a warranty against defects of manufacture and faulty workmanship for a period of 2 years from the date of purchase.

This warranty does not cover glass replacement, batteries, damage caused by accident or misuse of the appliance, or the assembly/disassembly not indicated in the instruction manuals. If the product fails (not considering the above mentioned events) within the warranty period, defective pieces will be replaced free of charge if it is proved any defect of manufacture.

Regarding defective pieces, they will be sent free of charge and their switch is responsibility of the retailer responsible for the purchase of the appliance.

Our warranty is offered as an addition to your statutory rights. It is only applicable to the original purchaser, non-transferable. All repairs must only be fitted by an authorized service technician. Use of spare parts other than those supplied by the manufacturer will invalidate the appliance warranty and must only be fitted by an authorized service technician.

IMPORTANT: Registering your product does not require proof of purchase, if it will be made on our website and must be based on the date of purchase. It will be assumed that registration information accurately reflects the information on the proof of purchase which will be required upon servicing of any/all products under warranty.

If the information conflicts, information stated on the proof of purchase will be deemed accurate and true and warranty will be assessed accordingly.

Equipment: Version: Constroller:	Guarentee Beneficiary: Adress: Tel.: Availability date: Local.....Date..... Signature:
Serial and Guarantee numbers:	
Distributor code:	
Name and Adress of the Distributor:	

GlammFire is always concerned with the environment. This is reflected by the projection of their products and their packaging. Focusing on the reduction of energy consumption, raw materials, natural resources and quantity of waste generated, GlammFire follows the policy of the 4R's (Reduce, Reuse, Recycle and Recover). Thus GlammFire has in mind the use of long lasting products as well as reusable and recyclable products.

GlammFire recommends reusing the GlammFire's packaging separately and deposit plastic, paper, cardboard and glass in the appropriate collection point.

"In nature nothing is created, nothing is lost, everything is transformed."

Antoine Laurent de Lavoisier

GlammFire fireplaces are manufactured under the strict Standard of the world recognized ISO 9001:2008 (TUV) Quality Assurance Certificate.

GlammFire products are designed with superior components and materials, assembled by trained craftsmen who take great pride in their work.

Once assembled the complete fireplace is thoroughly inspected by a qualified technician before packaging to ensure that you, the customer, receive the quality product that you expect from GlammFire.

glamm[®]
fire

Recuperadores Pachinha Lda.
Zona Industrial da Lagoa, Lote G1
4950-850 CORTES - MONÇÃO PORTUGAL
Tel(+351) 251 654 800
Fax(+351) 251 654 801
info@glammfire.com
www.glammfire.com



Management
System
ISO 9001:2015

www.tuv.com
ID 9105063633