



CONTEMPORARY LUXURY FIREPLACES

cocoonfires.com



CONTEMPORARY LUXURY FIREPLACES

Cocoon Fires produces contemporary fireplaces that combine stylish form as well as function, to create outstanding environments.

Versatility through and through, whether suspended, wall mounted or free standing, our range of fireplaces offer endless possibilities for your interior or exterior space.

Designed by innovative and celebrated designer Federico Otero, the Cocoon is an example of contemporary design made unique.



ABOUT BIOETHANOL FIRES

Cocoon Fires fireplaces are fuelled with bioethanol. Bioethanol is a biofuel derived from plants including corn, wheat, barley and sugarcane. Bioethanol is a renewable energy source, with no odour and no harmful emissions. It creates a vibrant clean-burning flame with no harmful effects on the environment or the people using it.

COCOON FIRES



COCOON FIRES



COCOON AERIS

The Cocoon Aeris contemporary fireplace is a suspended design piece that incorporates full adjustability in a modern hanging fireplace.

It has endless possibilities.

The stainless steel version can be converted into an entertaining drinks server by filling it with ice.

The Stainless Steel Hanging System is 142cm fully extended, adjustable to 6 different heights and can be rotated 360°.

The Black Hanging System 202.5cm fully extended, adjustable in lengths of 25cm, but 360° rotation is not available.

It can also convert into the Cocoon Pedestal.

Available in Matte Black (indoor use only) and Marine Grade Stainless Steel.





CFAB

with 316 Stainless Steel Hanging System

CFASS

with 316 Stainless Steel Hanging System



FUEL CAPACITY
1.5 LT BIO-ETHANOL



BURNING TIME
UP TO 5 HOURS



AVG. CONSUMPTION
± 0.30 LT/HR



3.0 kW
OUTPUT



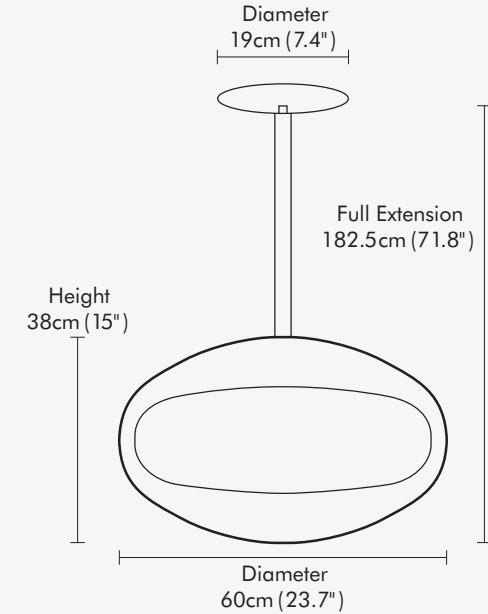
360°
ROTATION



CONVERTS
TO PEDESTAL

COCOON AERIS

TECHNICAL SPECIFICATIONS



ADJUSTABLE HANGING POLE

- 6 height positions
- Full extension 142cm (56" in)

HEIGHT POSITIONS

- 98.5cm (38.8" in) - minimum extension
- 134.5cm (53" in)
- 125.5cm (49.4" in)
- 116.5cm (45.8" in)
- 107.5cm (42.3" in)
- 182.5cm (72" in) - full extension

ACCESSORIES

Extension poles for high ceilings:

- 50cm (20" in)
- 100cm (40" in)

Angled Mounting Brackets

for pitched or angled ceilings are only available with the Stainless Steel Hanging poles. Additional **Mounting Plates** are available so your Cocoon AERIS can be hung in various locations throughout your home.



Cocoon Aeris with Stainless Steel Hanging System complete with Angled Ceiling Bracket



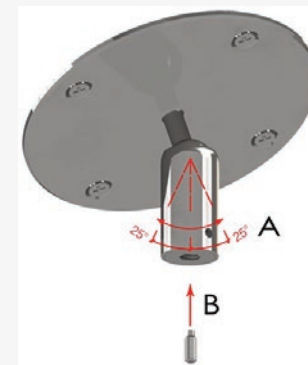
CFABANG

with 316 Stainless Steel Hanging System with Angled Ceiling Bracket



CFASSANG

with 316 Stainless Steel Hanging System with Angled Ceiling Bracket



The Stainless Steel Angled Ceiling Bracket is used only in combination with the Stainless Steel Hanging System and allows for a maximum angle of 25 degrees, this is the maximum angle the load bearing surface.

ADJUSTABLE HANGING POLE

- 6 height positions
- Full extension 142cm (56" in)

HEIGHT POSITIONS

- 98.5cm (38.8" in) – minimum extension
- 134.5cm (53" in)
- 125.5cm (49.4" in)
- 116.5cm (45.8" in)
- 107.5cm (42.3" in)
- 182.5cm (72" in) – full extension

ACCESSORIES

Extension poles for high ceilings:

- 50cm (20" in)
- 100cm (40" in)



FUEL CAPACITY
1.5 LT BIO-ETHANOL



BURNING TIME
UP TO 5 HOURS



AVG. CONSUMPTION
± 0.30 LT/HR



3.0 kW
OUTPUT



360°
ROTATION



CONVERTS
TO PEDESTAL

Cocoon Aeris with Black Hanging System



CFABBLK
with Matte Black
Hanging System



FUEL CAPACITY
1.5 LT BIO-ETHANOL



BURNING TIME
UP TO 5 HOURS



AVG. CONSUMPTION
± 0.30 LT/HR

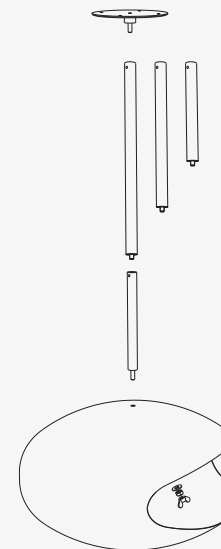
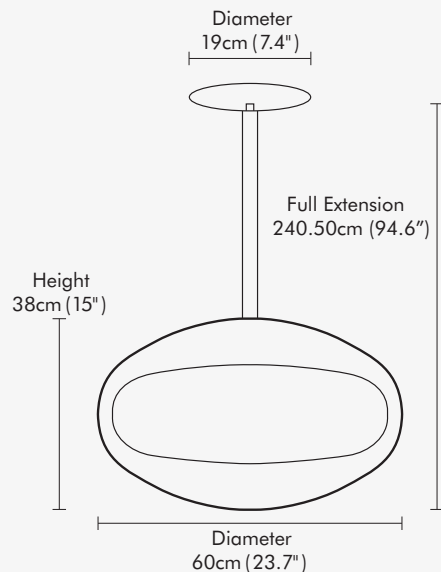


3.0 kW
OUTPUT



CONVERTS
TO PEDESTAL

TECHNICAL SPECIFICATIONS



THE BLACK HANGING SYSTEM

- Only available for flat / level ceilings.
Not available with Angled Ceiling Bracket.
- 360° rotation is not available.
- NOTE: the 25cm connection pole is not optional, and the desired finished length must be made up from a combination of the sizes available PLUS this compulsory Connection Pole.

THE BLACK HANGING SYSTEM PARTS:

- 1 unit – Standard Black Mounting Bracket
- 1 unit* – 100 cm Extension Pole
- 1 unit* – 50 cm Extension Pole
- 1 unit* – 25 cm Extension Pole
- 1 unit – Connection 25cm Pole

Total: 2.025 m

ACCESSORIES

Extension poles for high ceilings:

- 100 cm (39,37 in)
- 50 cm (19,69 in)
- 25 cm (9,84 in)



COCOON PEDESTAL

The Cocoon Pedestal is a portable and freestanding contemporary fireplace. It is versatile, fits perfectly into apartments and is easy to move outdoors.

The stainless steel version can be converted into an entertaining drinks server by filling it with ice. It may also be stored outdoors due its hard-wearing marine grade finish.

It can also convert into the Cocoon Aeris.

Available in Matte Black (indoor use only) and Marine Grade Stainless Steel.





CFPBBLK
with Matte
Black Stand



CFPB
with 316
Stainless Steel Stand



CFPSS
with 316
Stainless Steel Stand



FUEL CAPACITY
1.5 LT BIO-ETHANOL



BURNING TIME
UP TO 5 HOURS



AVG. CONSUMPTION
±0.30 LT/HR



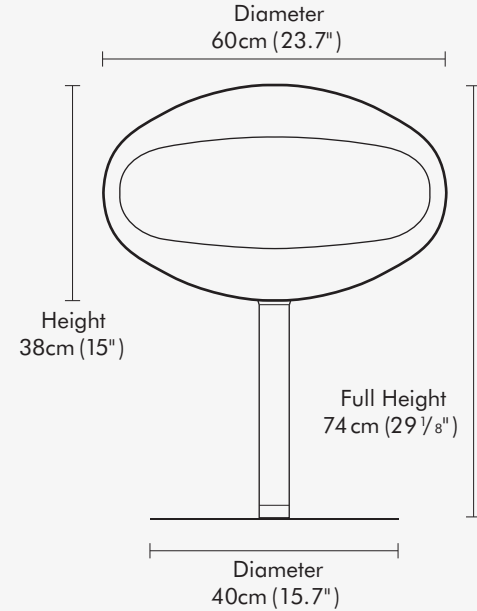
3.0 kW
OUTPUT



CONVERTS
TO AERIS

COCOON PEDESTAL

TECHNICAL SPECIFICATIONS



Pedestal Stand

- 316 Marine Grade
Stainless Steel Hairline Finish
- Matte Black Mild Steel

COCOON TERRA

The Cocoon Terra is a portable and freestanding contemporary fireplace with tripod legs that adapt to any floor surface, even if the surfaces are uneven. It is a versatile and luxury fireplace, fits perfectly into apartments and is easy to move outdoors.

Available in Matte Black (indoor use only)
and Marine Grade Stainless Steel.



CONTEMPORARY LUXURY FIREPLACES



CFTB
with 316
Stainless Steel Legs



CFTSS
with 316
Stainless Steel Legs



FUEL CAPACITY
1.5 LT BIO-ETHANOL



BURNING TIME
UP TO 5 HOURS



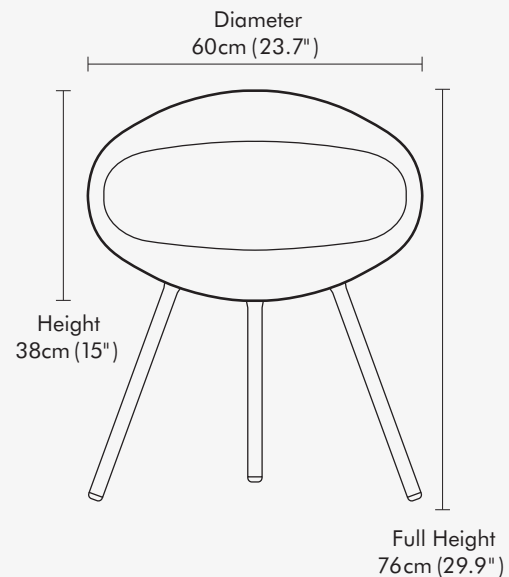
AVG. CONSUMPTION
± 0.30 LT/HR



3.0 kW
OUTPUT

COCOON TERRA

TECHNICAL SPECIFICATIONS



COCOON VELLUM

The Cocoon Vellum is a modern, contemporary and easily installable wall-mounted fireplace. Simply hang it on the wall and you will have a living art piece. The Vellum creates an intimate setting for any living environment.

Available in Matte Black (indoor use only) and Marine Grade Stainless Steel.



CONTEMPORARY LUXURY FIREPLACES

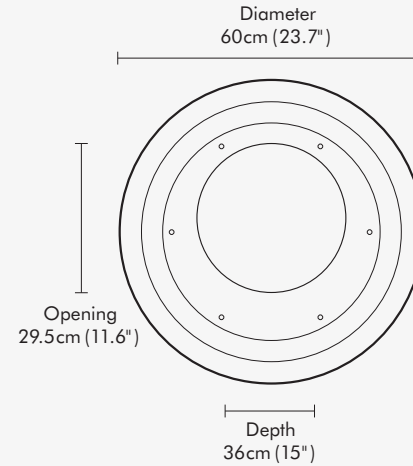
TECHNICAL SPECIFICATIONS



CFVB
Black with
Stainless Steel Fascia



CFVSS
316 Stainless Steel with
Stainless Steel Fascia



Mounting Bracket

- 316 Marine Grade
Stainless Steel Mirror Finish



FUEL CAPACITY
1.5 LT BIO-ETHANOL



BURNING TIME
UP TO 5 HOURS



AVG. CONSUMPTION
 ± 0.30 LT/HR



3.0 kW
OUTPUT



COCOON FIRES LIFESTYLE

Cocoon Fires range is designed to capture
the essence of life.

Live and enjoy it to the fullest.

Our fireplaces have no boundaries and they challenge
the traditional views of heating.

The Stainless Steel model's marine grade qualities
allow for the Cocoon to be used all
year round in order to maximise the benefit of its
creative design.

Simply remove the burner and the trays, then fill the
shell with ice or cooling pads to use the Cocoon as a
drink server.



CONTEMPORARY AND LUXURY FIREPLACES

COCOON FIRES AUGMENTED REALITY APPLICATION

This application allows you to view and place your
chosen Cocoon Fires model in your own home, using
your iOS or Android smartphone.



Scan the QR Code with your smartphone to download
the Cocoon Fires AR - Augmented Reality App.

interior
innovation
award
2011

Winner



CONTEMPORARY LUXURY FIREPLACES

cocoonfires.com

info@cocoonfires.com