

# Electric



## Damis

### Dimensions 30

944 mm x 676 mm X 307 mm  
17 1/8" x 26 5/8" x 12 1/8 "

### Dimensions 36

944 mm x 676 mm X 307 mm  
17 1/8" x 26 5/8" x 12 1/8 "

### Type

Built-in

### Voltage

230/240 V

### Operation Temperature

-4° to 104°F  
(-20° to 40°C)

### Power

1800 W—2000 W

### Weight

22.7 kg | 50 lbs  
27.2 kg | 60 lbs

The product complies with the European Safety Standards EN60335-2-30 and the European Standard Electromagnetic Compatibility (EMC) EN55014, EN60555-2 and EN60555-3 These cover the essential requirements of EEC Directives 2006/95/EC and 2004/108/EC.

*glamm*<sup>®</sup>  
fire

Thank you for purchasing a GlammFire product.

To activate your GlammFire 2 years warranty, please register your product at [www.glammfire.com/pt/sobre/garantia](http://www.glammfire.com/pt/sobre/garantia) or complete your warranty card and send it to us, along with a purchase copy, to our address within 30 days after the purchase.

For more information check the Warranty chapter.

**INDEX**

1—Supplied material	4
2—Important Safety Advice	5
3—Specifications	6
3.1— Dimensions	6
3.2— Operation Temperature	6
4—Installation	7
4.1—Framing	7
4.2—Placement	8
4.3—Fixed Wiring	9
5—Operation	9
6— Maintenance	12
7—After-Sale Service	13
8— Warranty	13

Congratulations on purchasing your GlammFire Electric appliance. This quality product has been designed with precision and rigour that characterizes us to offer you pleasant and soothing moments.

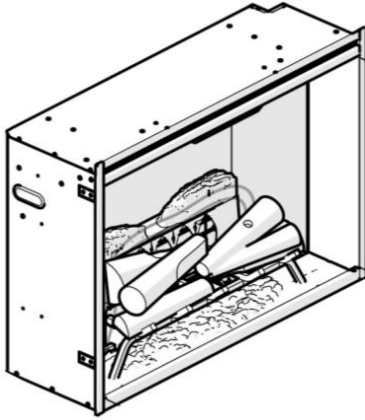
Please read the instructions for use carefully and effective before using the appliance.

Keep this Manual in a safe place.

Please read this manual before using your appliance and keep it for future reference. All presented warnings must be respected.

The information provided in this manual is subject to change without notice.

## 1—Supplied Material



Supplied Material:

1— Fireplace

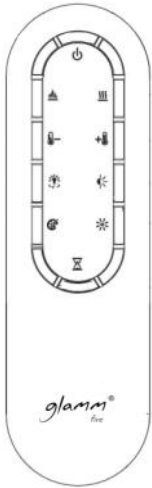
2— Remote Control

3— Screws (x8), metal bushings (x8)

4— Nylon bushings (x8)

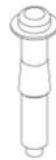
5— Screws (x8)

1



2

3



4



5



## 2 - IMPORTANT SAFETY ADVICE

PLEASE READ ALL THE INSTRUCTIONS BEFORE USING THIS APPLIANCE.

When using electrical appliances, basic precautions should always be followed to reduce the risk of fire, electrical shock and injury to persons, including the following:

If the appliance is damaged, check with the supplier before installation and operation.

Do not use outdoors.

Do not use in the immediate surroundings of a bath, shower or swimming pool.

Do not locate the appliance immediately below a fixed socket outlet or connection box.

This appliance can be used by children aged from 8 years and above and people with reduced physical, sensory or mental capabilities or lack of experience and knowledge if they have been given supervision or instruction concerning use of the appliance in a safe way and understand the hazards involved. Children shall not play with the appliance. Cleaning and user maintenance shall not be made by children without supervision.

Children of less than 3 years should be kept away unless continuously supervised. Children aged from 3 years and less than 8 years shall only switch on/off the appliance provided that it has been placed or installed in its intended normal operating position and they have been given supervision or instruction concerning use of the appliance in a safe way and understanding the hazards involved. Children aged from 3 years and less than 8 years shall not plug in, regulate and clean the appliance or perform user maintenance.

Do not use this appliance in series with a thermal control, a program controller, a timer or any other device that switches on the heat automatically, since a fire risk exists when the appliance is accidentally covered or displaced.

Ensure that furniture, curtains or other combustible material are positioned no closer than 1 metre from the appliance. In the event of a fault unplug the appliance.

Unplug the appliance when not required for long periods.

Although this appliance complies with safety standards, we do not recommend its use on deep pile carpets or on long hair type of rugs.

The appliance must be positioned so that the plug is accessible.

If the supply cord is damaged it must be replaced by the manufacturer or service agent or a similarly qualified person in order to avoid a hazard.

Keep the supply cord away from the front of the appliance.

**WARNING:** In order to avoid overheating, do not cover the appliance. Do not place material or garments on the appliance, or obstruct the air circulation around the appliance, for instance by curtains or furniture, as this could cause overheating and a fire risk.



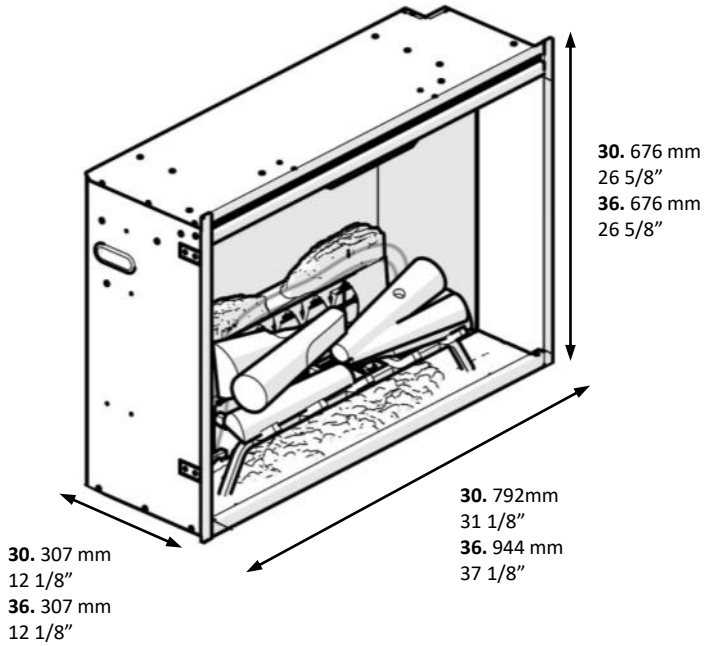
**WARNING:** In order to avoid a hazard due to inadvertent resetting of the thermal cut-out, this appliance must not be supplied through an external switching device, such as a timer, or connected to a circuit that is regularly switched on and off by the utility.

**CAUTION** - Some parts of this product can become very hot and cause burns. Particular attention has to be given where children and vulnerable people are present.

### 3 - Specifications

The fireplace offers an alternative to a wood or gas fireplace. It can give your existing fireplace new life or transform a cabinet or media center of your own into a stunning focal point.

#### 3.1 DIMENSIONS:



#### 3.2 OPERATION TEMPERATURE

The operation temperature on this model is  $-20^{\circ}\text{C}$  to  $40^{\circ}\text{C}$  ( $-4^{\circ}\text{F}$  to  $104^{\circ}\text{F}$ ).

**Warning:** Electrical outlet wiring must comply with local building codes and other applicable regulations to reduce the risk of fire, electric shock, or injury to people.

**! NOTE:** A 13Amp (EU) or 10 Amp (AU/NZ) circuit is required. A dedicated circuit is preferred, but not essential in all cases. A dedicated circuit will be required if, after installation, the circuit breaker trips or the fuse blows on a regular basis when the heater is operating. Additional appliances on the same circuit may exceed the current rating of the circuit breaker.

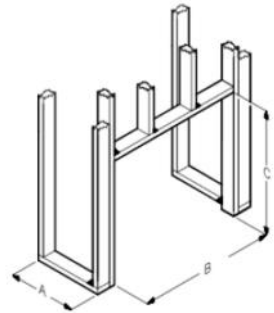
## 4 - Installation

### 4.1 FRAMING:

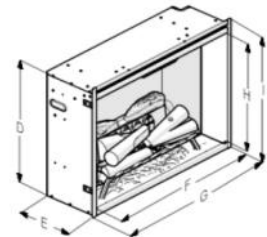
1. The model does not require any special venting.
2. Rough in the framing opening. Following the recommended framing dimensions below.

**! NOTE:** The materials used for the finished surround must be cut to precise dimensions (Dimensions B & C) as the 6 mm (1/4") self trimming flange is only to create a finished appearance.

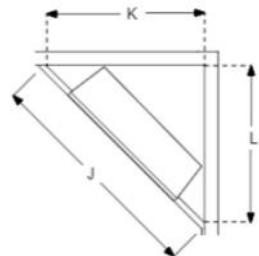
	DAMIS 30		DAMIS 36
A	318 mm (12 1/2")		
B	778 mm (30 5/8")		930 mm (36 5/8")
C	665 mm (26 3/16")		778 mm (30 5/8")
D	654 mm (25 3/4")		
E	306 mm (12")		
F	746 mm (29 3/8")		898 mm (35 3/8")
G	792 mm (31 1/8")		944 mm (37 1/8")
H	578 mm (22 3/4")		
I	674 mm (26 5/8")		
J	1378 mm (54 1/4")		1524 mm (60")
K	978 mm (38 1/2")		1080 mm (42 1/2")
L	978 mm (38 1/2")		1080 mm (42 1/2")



Rough-In Framing Dimensions



Firebox Dimensions



Rough-In Corner Dimensions

#### 4.2 PLACEMENT:

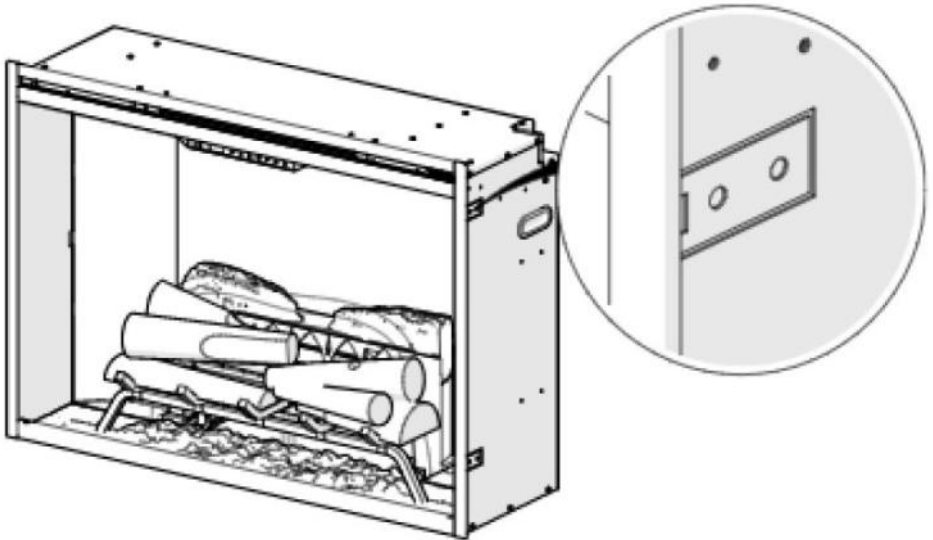
The firebox is a zero clearance design, with the exception of the top of the unit, where any insulation and vapor barrier should be placed a minimum of 51 mm (2") from the firebox.

**DANGER!** High temperatures may be generated under certain abnormal conditions. Do not partially or fully cover or obstruct the front of the firebox.

**WARNING:** All electrical heaters have hot and arcing or sparking parts inside. Do not use it in áreas where gasoline, paint, or flammable liquids are used or stored.

**WARNING:** The fireplace must NOT be in direct contact with any building vapor barrier or insulation.

1. Place the fireplace into the framed opening. Level with shims if necessary.
2. From the inside of the unit, gently remove the interior brick panels (attached magnetically) and bent ou, up to 90°, to be flush with the surrounding studs.
3. Attach the fireplace to frame using the four mounting flanges on the sides of the fireplace and the hardware provided.





### 4.3 FIXED WIRING

In some jurisdictions this appliance is supplied without a Plug this is to comply with the local regulations. In such instances this appliance must be installed by a suitable qualified installer and the means for disconnection must be incorporated in the fixed wiring in accordance with the local wiring rules.

## 5 - Operation

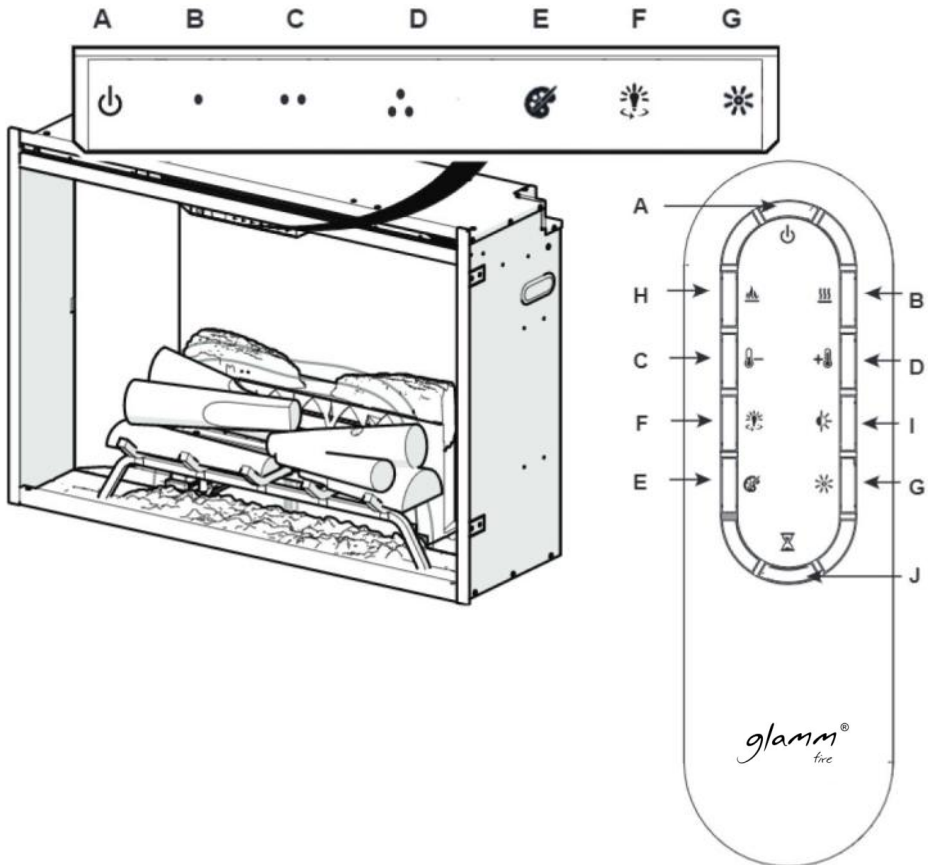
### 5.1 Touch Panel and Remote Controls





**WARNING:** The fireplace must be installed properly before it is used.







**CAUTION:** Except for installation and cleaning described in this manual, an authorized service representative should perform any other service.

The manual controls for the fireplace are located on the front panel. Touch and icon to activate. The selected setting displays on the left side of the panel.

A multi-function remote control is also provided. The remote control has a range of approximately 30 ft (6 m). To operate correctly, the remote control must be pointed towards the front of the built-in electric firebox.



	Icon	Function	Description
A		Power/ Standby	<p>Press to activate the current standby stat (On/Off).</p> <p><b>Standby State ON</b> Press to turn everthing Off. Press again to activate the previous state.</p> <p><b>Stanby State OFF</b> Press to activate the previous state. - if the flame effect was On, the previous heat setting will be activated (On or Off). - if the flame effect was OFF, the previous heat setting will be activated (High or Low).</p> <p>Press again to turn everythin OFF.</p>
B		Heat	<p><b>Heat On</b> Press to turn heat ON using remote (indicated by 1 short beep). Display current heater temperature setting. Use the Temp Up/Down icon to change the heater temperature setting.</p> <p><b>Heat Off</b> Press to turn heat OFF using remote (indicated by 1 short beep).</p> <p><b>!NOTE:</b> After the heater is switched off, the fan will continue on for 60 seconds before turning off.</p>
C		Temp Down	Press multiple times to lower the heater temperature in 1°C (1°F) increments. Displays current temperature; lowest temperature is 5°C (41°F). This feature is active whenever the heat is enable.
D		Temp Up	Press multiple times to raise the heater temperature in 1°C (1°F) increments. Displays current temperature; lowest temperature is 37°C (99°F). This feature is active whenever the heat is enable.
<b>Change Fahrenheit (°F) to Celsius (°C)</b>			Press both Temp+ (••) and Temp- (••) on the unit.
<b>Heat Enable</b>			Hold both Heat (•) and Temp- (••), on the unit, for 2 seconds. Temperature displays on the screen.
<b>Heat Disable</b>			Hold both Heat (•) and Temp- (••), on the unit, for 2 seconds, when temperature is adjusted “---” display on the screen.

	Icon	Function	Description
E		<b>Color Themes</b>	Press multiple times to change the flame base colors from Red to Blue to Off. (The first segment on the display will change from “r” to “b” to blank) This feature is active only when the flame effect is ON.
F		<b>360 Light</b>	Press multiple times to change the LEDs on the sides and back of the unit from Midnight mode to white to yellow to red. (The middle segment on the display will change through 0-3 respectively. This feature is active only when the Flame is ON).
G		<b>Brightness</b>	Press to change the LED lights from High to Low. (The last segment on the display will change from “H” to “L” the realog LEDs remain ON when the heater is ON and the flame effect is OFF. <b>!NOTE:</b> When the light sensor is activated, High and Low flickering brightness settings are also available (Flashing “H” and “L”).
H		<b>Flame</b>	Press to light the log set and start the flame effect. Press again to turn feature OFF.
I		<b>Light sensor</b>	Press to activate (ALS ON) the ambience light sensor. Press again to turn the sensor OFF (ALS OFF) <b>!NOTE:</b> The light sensor will adjust the brightness of the fireplace based on the ambience light in the room.
J		<b>Timer</b>	Press multiple times to change the sleeper timer in 0.5hr increments from 0.5hr to 8.0hr before turning off. The remaining time on the sleep timer displays.
		<b>Control Lock</b>	Hold both Temp — ( ●● ) and Brightness ( * ), on the unit, for 2 seconds to disable the manual controls.
		<b>Control Unlock</b>	Hold both Temp — ( ●● ) and Brightness ( * ), on the unit, for 2 seconds to disable the manual controls.

## 6 - MAINTENANCE

Inspect the fireplace regularly, depending upon conditions, and at a minimum yearly intervals. Remove dust and clean the logs, grate, and base as required.

**WARNING:** Disconnect power before attempting any maintenance or cleaning to reduce the risk of fire, electric shock or damage to people.

**CAUTION:** Except for installation and cleaning described in this manual, an authorized service representative should perform any other service.

### Clean Logs and Base

The fireplace set should not be operated with an accumulation of dust or dirt on or in the fireplace, as this can cause overheating and eventual damage.

Dust and vacuum the fireplace as needed. Use a damp cloth and a mild detergent to clean painted surfaces of the fireplace. Never use abrasive cleaners.

### Clean Reflector Screen

The reflector screen is cleaned in the factory during assembly operation. During shipment, installation, handling, etc., the screen may collect dust particles; these can be removed by dusting lightly with a clean dry cloth.

To remove fingerprints or other marks, clean the reflector screen with a damp cloth. Never use abrasive cleaners. Dry the screen completely with a lint free cloth to prevent water spots.

### Remote Battery Replacement

To replace the battery:

1. Push down on the battery cover located on the back of the remote control. Slide the battery cover open.
2. Install 3V (CR2032) lithium battery in the battery holder. The positive (+) side of the battery faces up.
3. Close the battery cover.



The old battery must be recycled or disposed of properly—Check with your Local Authority or Retailer for recycling advice in your area.

**CAUTION:** When transporting or storing the heater and cord, keep in a dry place, free from excessive vibration and store so as to avoid damage.

## **7- AFTER SALES SERVICE**

In case of doubt or any anomaly, do not use the fireplace and please contact a specialized technician.

## **8- WARRANTY**

In order to activate your GlammFire 2 year warranty, please register your new GlammFire product at [www.glammfire.com/en/about/warranty](http://www.glammfire.com/en/about/warranty) or complete your warranty card and return it to us, along with a copy of the proof of purchase, at our address within 30 days of purchase.

All our Bioethanol Fireplaces and Burners, Electric Fireplaces, Fire Pits & Barbecues carry a warranty against defects of manufacture and faulty workmanship for a period of 2 years from the date of purchase.

This warranty does not cover glass replacement, batteries, whose lifespan, regrettably, we cannot predict, damage caused by accident or misuse of the appliance, or the assembly/disassembly not indicated in the instruction manuals. If the product fails during normal and proper use (not considering the above mentioned events) within the warranty period, GlammFire will replace the product free of charge.

Our warranty is offered as an addition to your statutory rights. It is applicable to the original purchaser only, non-transferable. All repairs must only be fitted by an authorised service technician. Use of spare parts other than those supplied by the manufacturer will invalidate the appliance warranty and must only be fitted by an authorised service technician.

**IMPORTANT:** Registering your product does not require proof of purchase, if it will be made on our website, and must be based on the date of purchase. It will be assumed that registration information accurately reflects the information on the proof of purchase which will be required upon servicing of any/all products under warranty.

If the information conflicts, information stated on the proof of purchase will be deemed accurate and true and warranty will be assessed accordingly.

The GlammFire is always concerned with the environment. This is reflected when the projection of their products and their packaging. Focusing on the reduction of energy consumption, raw materials, natural resources and quantity of waste generated, GlammFire follows the policy of the 4R's (Reduce, Reuse, Recycle and Recover). Thus GlammFire have in mind the use of long lasting products as well as reusable and recyclable products. The GlammFire recommend reusing the packaging GlammFire separately and deposit plastic, paper, cardboard and glass in the appropriate collection point.

*"In nature nothing is created, nothing is lost, everything is transformed."*

Antoine Laurent de Lavoisier

<b>Equipment:</b>	<b>Guarantee beneficiary:</b>
<b>Version:</b>	<b>Adress:</b>
<b>Controller:</b>	<b>Tel.:</b>
	<b>Availability date:</b>
	<b>Local.....Date.....</b>
	<b>Signature</b>
<b>Series and Guarantee numbers:</b>	
<b>Distributor code:</b>	
<b>Name and Adress of the distribuidor:</b>	

GlammFire fireplaces are manufactured under the strict Standard of the world recognized ISO 9001:2008 Quality Assurance Certificate.

GlammFire products are designed with superior components and materials, assembled by trained craftsmen who take great pride in their work.

Once assembled the complete fireplace is thoroughly inspected by a qualified technician before packaging to ensure that you, the customer, receive the quality product that you expect from GlammFire.

*glamm*<sup>®</sup>  
*fire*

Recuperadores Pachinha Lda.  
Zona Industrial da Lagoa, Lote G1  
4950-850 CORTES - MONÇÃO PORTUGAL  
Tel(+351) 251 654 800  
Fax(+351) 251 654 801  
info@glammfire.com  
www.glammfire.com



Management  
System  
ISO 9001:2015

