

glamm®
fire

Technical Data Sheet

Otello



Otello

Small moments
take us into
another dimension.

Fire Pit

Materials// Body · steel or corten steel

Finishings// Lacquered steel
Rusted corten steel
Varnished Rusted corten steel

Dimensions// 1055 Ø x 420 h mm
41,5" Ø x 16,5" a

Weight // 120 kg | 264,5 lbs

Benches finishings// Black lacquered

Combustion zone

Materials // AISI 316 stainless steel

Finishings // Brushed AISI 316 stainless steel



Option gas

Fuel // Propane/ Butane /Natural

Ignition mode// Remote control

Consumption // Propane gas/ Butane gas · 860–2300 g/h/ Natural gas · 1,4-3,7 m3/h

Power // 5—20 kW

Supply Pressure // Propane/Butane: 37.0 mbar - Natural: 20.0 mbar

Gas combination control - Approvals //Gas Appliances Directive 2009/142/CE
DIN EN298 / DIN EN126 / DIN EN13611

Accessories // Protection cover · included

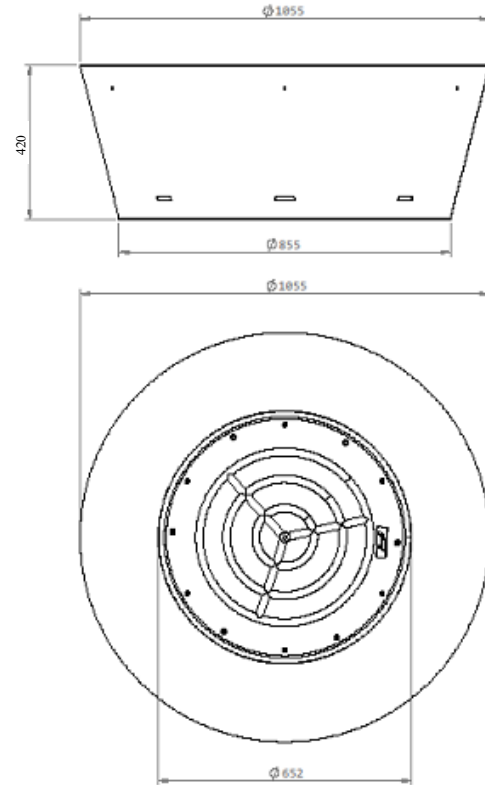
Combustion zone decorative stones · optional
(white/black decorative marble stones (3 kg))

Fuel compartment cover in black lacquered steel · optional

Fuel compartment cover in brushed stainless steel · optional

High temperature resistant round glass · optional

General Dimensions



glamm[®]
fire



GlammFire
Recuperadores Pachinha, Lda.
Zona Industrial da Lagoa, Lote G1
4950-850 Monção
Portugal

info@glammfire.com

T. +351 251 654 800 | F. +351 251 654 801

www.glammfire.com



/ glammfire