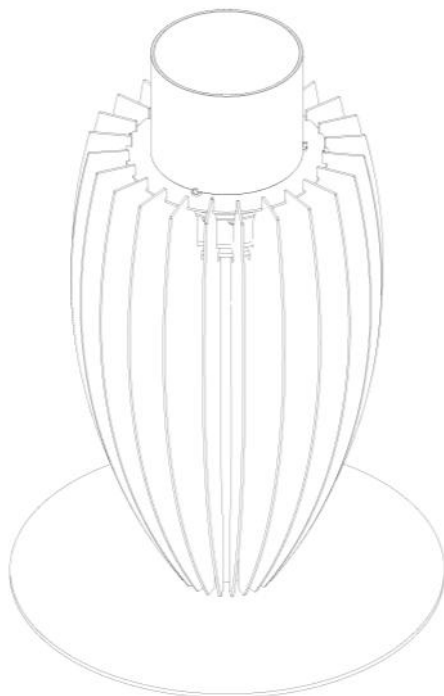


Premium



Tuli

Dimensions

H 1324 mm x \varnothing 900mm

Capacity

2 Litres

Weight

240 kg

Thermal Output

2,7 kW

glamm[®]
fire

INDEX

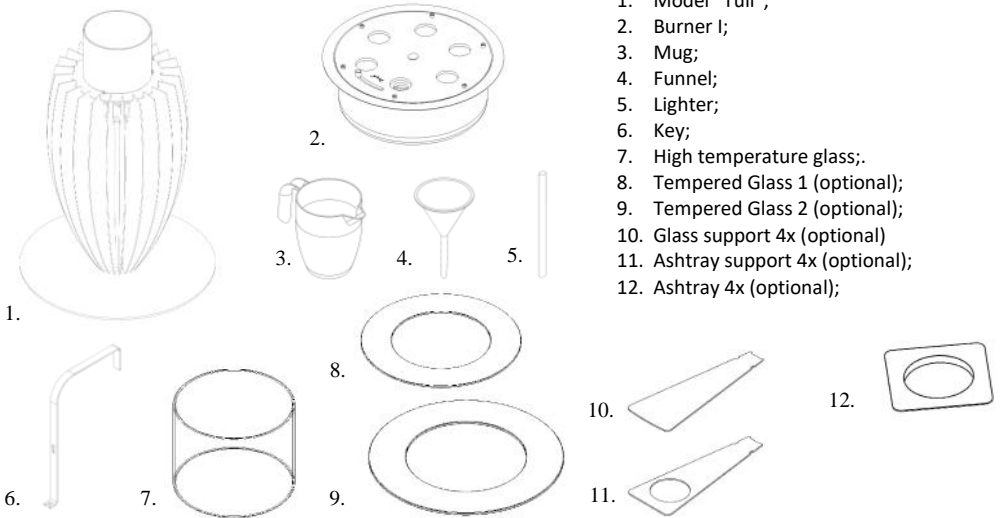
1—Material Supplied	4
2—Components	4
3—Safety Instructions	5
3.1— Ventilation	5
3.2—Cautions	5
4—Fuel	7
4.1—Bioethanol – The adequate fuel	7
5—Installation	8
5.1—Flammable materials	8
5.2—Materials: stone/metal/ceramics	8
5.3—Other non-flammable materials	8
5.4—Installation Procedures	9
5.5- Disassembling	12
6—Maintenance	13
7—Overall dimensions	14
8—After Sales Service	14
9— Warranty	14

Please read this Instruction Manual carefully before using your decorative fireplace. It contains important operating and maintenance instructions, that should be followed correctly, in order to ensure a durable use of your decorative fireplace.

All presented cautions and warnings must be respected. Keep this manual for future reference.

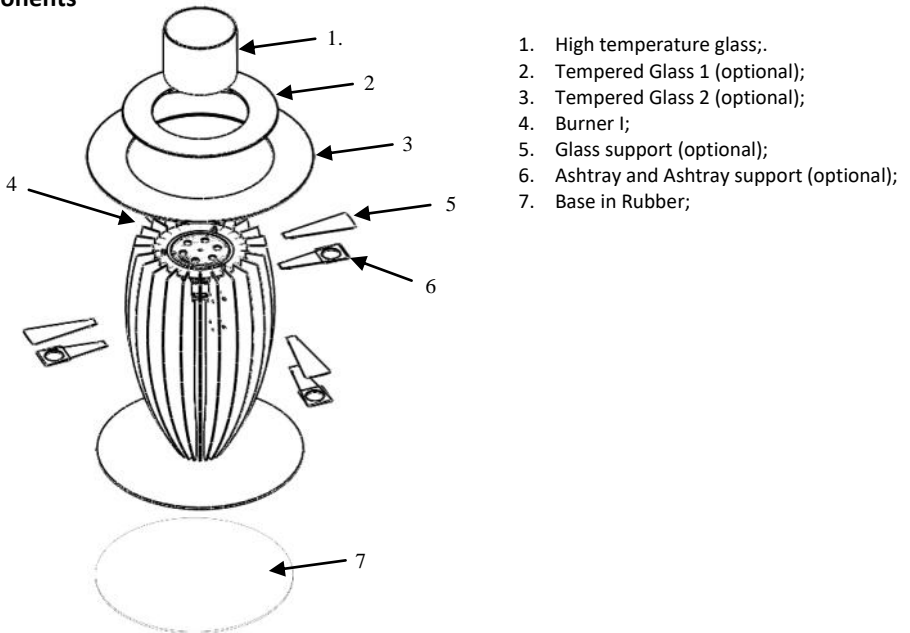
This Instruction Manual is subject to change without notice.

1—Material Supplied



1. Model "Tuli";
2. Burner I;
3. Mug;
4. Funnel;
5. Lighter;
6. Key;
7. High temperature glass;
8. Tempered Glass 1 (optional);
9. Tempered Glass 2 (optional);
10. Glass support 4x (optional)
11. Ashtray support 4x (optional);
12. Ashtray 4x (optional);

2—Components



1. High temperature glass;
2. Tempered Glass 1 (optional);
3. Tempered Glass 2 (optional);
4. Burner I;
5. Glass support (optional);
6. Ashtray and Ashtray support (optional);
7. Base in Rubber;

3—Safety Instructions

3.1—Ventilation

It is recommended that you keep a good ventilation of the area, in order to ensure a healthy level of oxygen.

Bioethanol combustion releases carbon dioxide (CO₂) and water (H₂O). The combustion requires oxygen, therefore the area where the fireplace is should have adequate ventilation with ventilation grids or other means, to allow air quality and circulation.

3.2—Cautions:

GlammFire is concerned about your safety, therefore we have taken all necessary consideration for conception, fabrication, assembly and transport, to ensure perfect functioning.

We therefore ask you to thoroughly follow our instructions for assembly, use and maintenance.

- Do not cover your decorative fireplace;
- Keep it away from flames, ignition sources, and flammable materials;
- Do not place the fireplace near windows or doors that can create drafts. These drafts may cause irregular functioning;
- Do not blow to the burner when igniting or during normal functioning of the fireplace;
- Keep a regular watch, during use of the fireplace;
- Keep children and animals away from the fireplace. Children do not recognize danger. Therefore make sure children are kept at a safe distance;
- Keep children watched when fireplace is working;
- The fireplace should not be exposed to direct sunlight or any heat source, as it may damage its materials;
- If you spill bioethanol onto the floor absorb it with a cloth, and then clean with a wet cloth, to avoid ignition outside the burner and stains on the floor;
- In case you spill bioethanol in the fireplace clean it immediately with a wet cloth, to avoid ignition outside the burner and damages to the finishing of the fireplace (paint, lacquers, leathers, amongst others);
- **Attention:** While working the fireplace may achieve very high temperatures. Therefore avoid touching it. Areas of potential contact with skin may cause burns;
- Do not fill the burner while hot, wait for it to cool down;
- Never pour bioethanol over the flame;
- After extinction of the flame wait approximately 15 minutes before handling the fireplace;
- In case of fire use a fire blanket or a fire extinguisher;

- Do not use water to extinguish the fire;
- Do not use chemical products to clean the fireplace, as they may damage the materials. When in doubt contact an authorized dealer;
- We recommend that you burn all the bioethanol in the burner. This avoids odours from bioethanol left in the burner and its irregular ignition when you decide to re-ignite it;
- In case you wish to terminate the use of our fireplace, before burning all the bioethanol, use the key provided to close the burning area. Wait 30 seconds and open again, to avoid accumulation of gases inside;
- Should the flame not extinguish totally close the burning area and wait 15 to 30 seconds to allow cooling and prevent potential re-ignition. Repeat till the flame is completely extinguished;
- Pour only the amount of bioethanol you wish to use. This will make sure that, at every use, the fuel burns completely till it is finished;
- In case of spillage, during filling of the burner, clean it immediately and, after use of the fireplace, clean the safety casing;
- Do not leave bioethanol in the safety casing. This may damage the components of the burner;
- Decorative stones, wood or other accessories should not be placed directly on top of the burning area. Should you use decorative accessories make sure:
 - The accessories do not interfere with the flame;
 - Are only for decorating the fireplaces and burners;
 - There is no risk of falling inside the burner.

4—Fuel

4.1—Bioethanol – The adequate fuel

- Glammfire fireplaces are designed to work with quality bioethanol, fully tested. Only this fuel ensures clean and efficient combustion. Fuel with less or inappropriate quality may lead to:
 - Higher probability of malfunction;
 - Reduction in durability of the system;
 - Incomplete and inefficient combustion;
 - Smoke and odours;
 - Residues inside the burner.
- Bioethanol is internationally recognized as being the major source of renewable energy, 100% ecological and environmentally friendly. It is made from fermentation and distillation of sugars from plants, such as sugar cane, potato, beetroot and cereals;
- The use of bioethanol guarantees a reduction of 85% in CO₂ emissions, therefore contributing for the reduction of global warming;
- Use only bioethanol as fuel. Only bioethanol will make a clean and perfect combustion;
- Keep bioethanol away from children and animals, as well as from a working fireplace;
- Avoid contact with eyes and skin;
- Do not drink bioethanol. In case you do go to the nearest hospital;
- Bioethanol should be kept at a minimum distance of 1 m from the fireplace;
- Do not place bioethanol in front of the fireplace;
- For security reasons bioethanol should be stored at a room temperature of approximately 20 °C.

5—Installation

The surface on you want to install the burner should be as level as possible.

5.1—Flammable materials

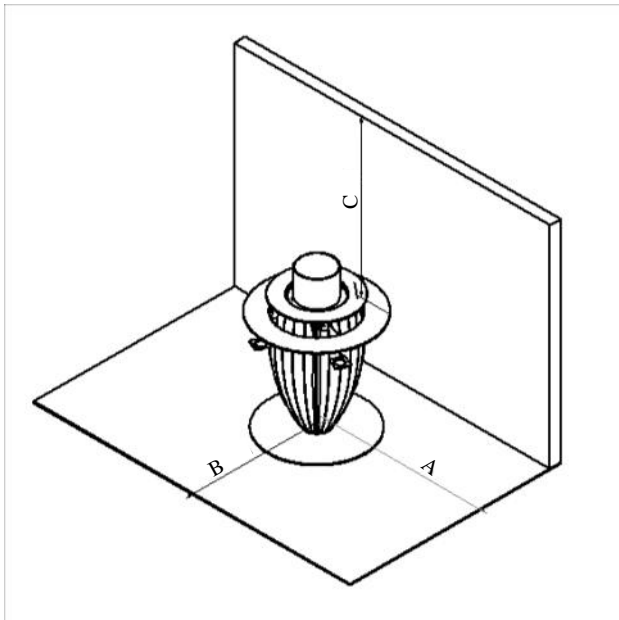
- Do not place flammable materials near the fireplace, within 1m;
- Racks or shelves should be distant:
 - From fireplaces: 500 mm;
 - From burners: 1 m;

5.2—Materials: stone/metal/ceramics

- A - 150 mm;
- B - 100 mm;
- C - 500 mm;

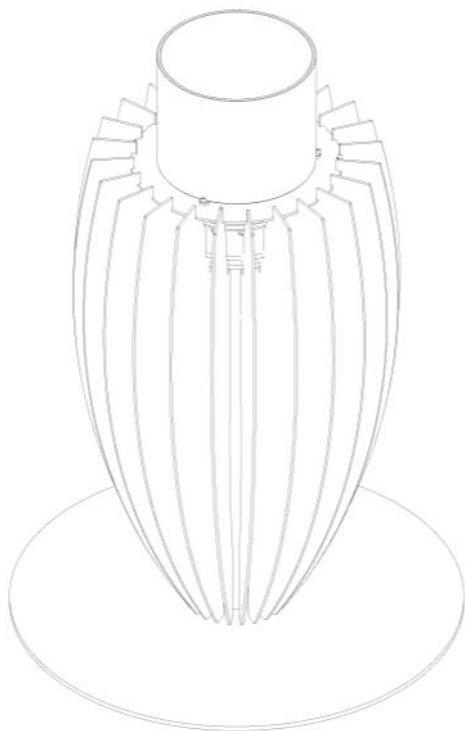
5.3—Other non-flammable materials

- A - 200 mm;
- B - 250 mm;
- C - 600 mm;



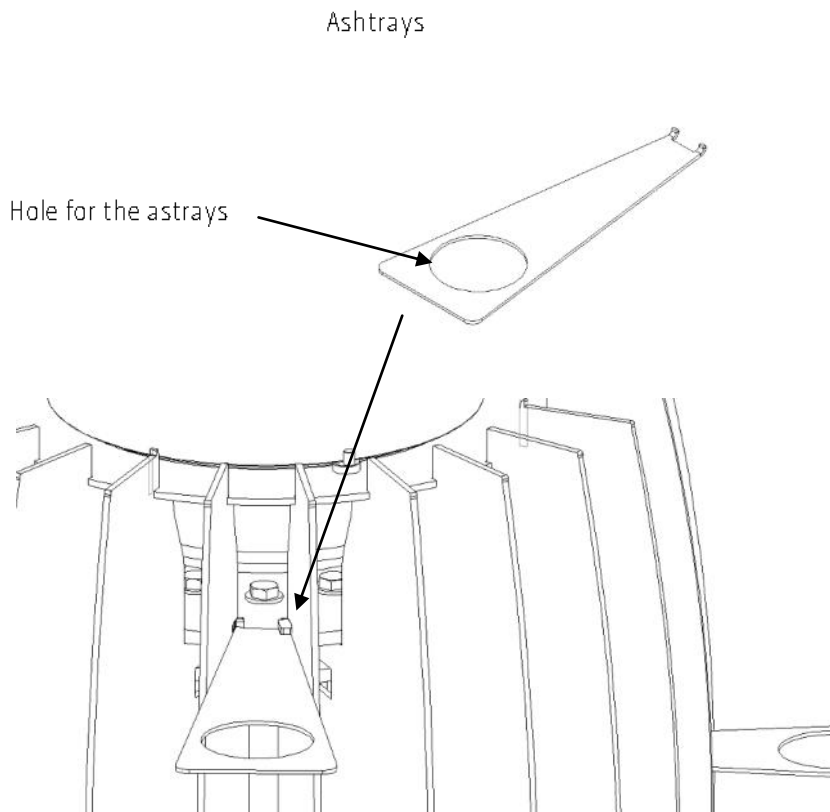
5.4—Installation Procedures

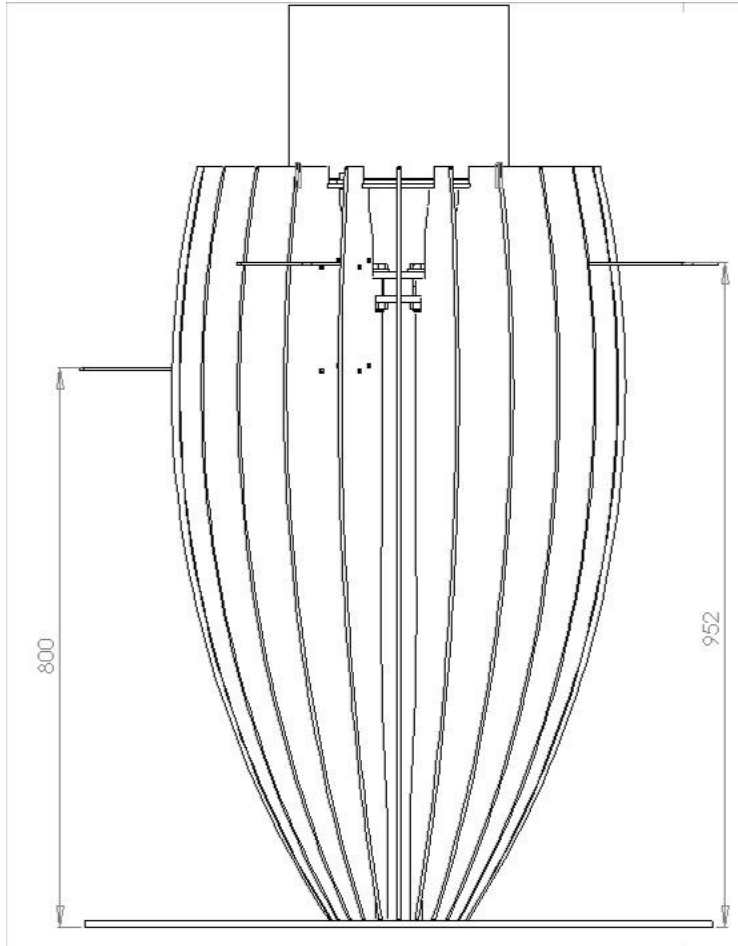
Put the fireplace in the local chosen and don't forget the rubber base.



Supports

To put the supports in your fireplace you must search the right place in the sides, fit them well fixed and finally you can put the ashtrays.





Placement of the 4 supports in the position chosen (height 800 mm/953mm).

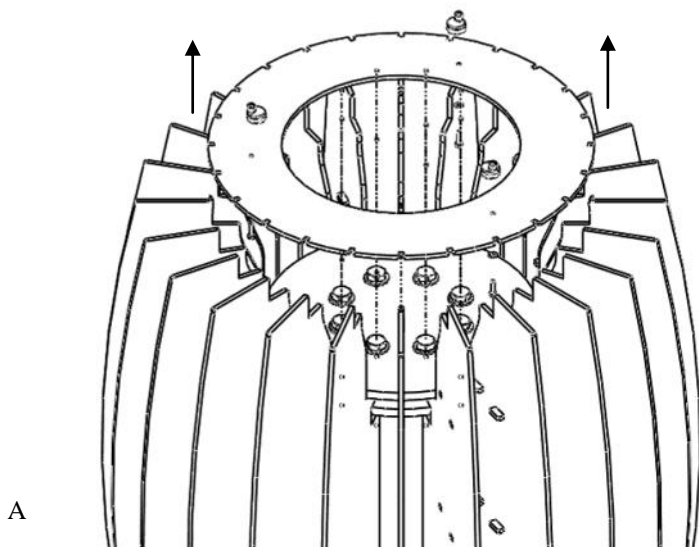
5.5- Disassembling

Tools Required:

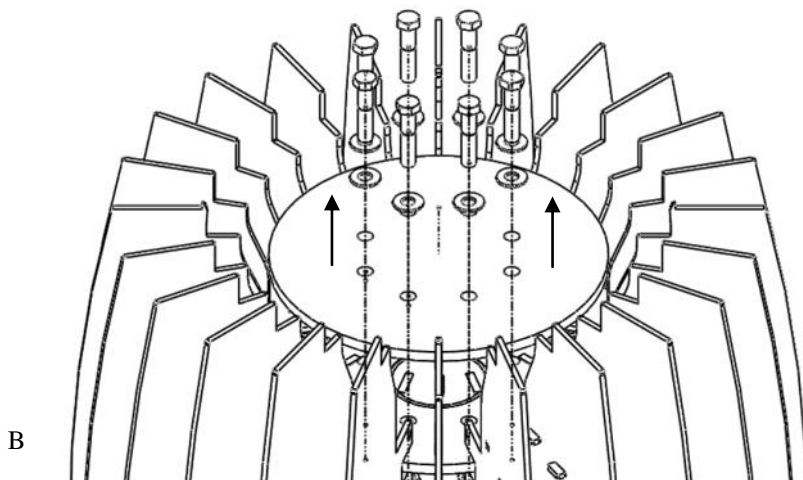
-Wrench n°19



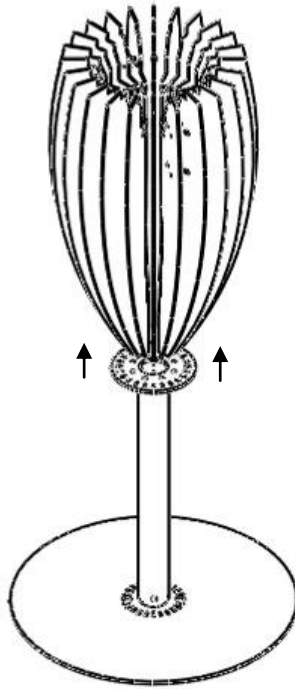
1. Remove the top flange ring (A).



2. Unbolt the interior round base, with the of the wrench (B).



3. Then, remove the vanes from the central shaft (C).

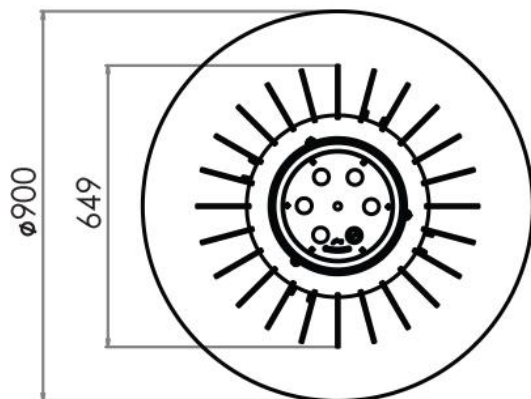
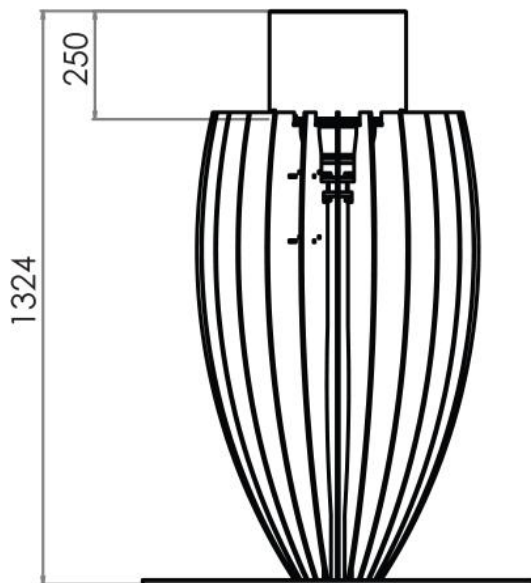


C

6—Maintenance

- The burner should be cleaned regularly, with a wet cloth. The safety casing should be regularly cleaned to prevent accumulation of bioethanol due to condensation;
- Persistent stains or marks may be removed with a wet cloth with warm water or a mixture of warm water and stainless steel cleaning product;
- We recommend regular cleaning of the stainless steel fireplace, to avoid contamination;
- Never use chemical products, not suitable for stainless steel;
- Do not use steel wool or abrasive materials. The surface of the fireplace may become damaged and scratched;
- The manufacturer will not be liable for any possible damages from fraudulent and/or incorrect use of the product. The manufacturer will not also be liable for the non-compliance of cleaning instructions, as well as use of any other cleaning methods;
- Regularly clean safety casing of the burner;
- **Note:** Non-compliance of above mentioned indications and recommendations terminates all factory warranty in all models and types of fireplace, losing the client the right to demand repair, under the warranty.

7—Overall dimensions



8—After Sales Service

In case of doubt or any anomaly, do not use the fireplace and please contact a specialized technician.

9—Warranty

2 years against manufacturing defects (the warranty does not cover glass).

Equipment:	Warranty beneficiary:
Version:	Address:
Controller:	Tel.:
	Availability date:
	Local.....Date.....
	Signature:
Series and Guarantee numbers:	
Distributor code:	
Name and Address of the Distributor:	

GlammFire fireplaces are manufactured under the strict Standard of the world recognized ISO 9001:2008 Quality Assurance Certificate.

GlammFire products are designed with superior components and materials, assembled by trained craftsmen who take great pride in their work.

Once assembled the complete fireplace is thoroughly inspected by a qualified technician before packaging to ensure that you, the customer, receive the quality product that you expect from GlammFire.

glamm[®]
fire

Recuperadores Pachinha Lda.
Zona Industrial da Lagoa, Lote G1
4950-850 CORTES - MONÇÃO PORTUGAL
Tel(+351) 251 654 800
Fax(+351) 251 654 801
info@glammfire.com
www.glammfire.com

