

Lina TV 120 h/s

Data sheet

Details

- Fireplace insert as tunnel version
- 12045 – Height 45 cm
12051 – Height 51 cm
12057 – Height 57 cm
- Self-closing door
- Standard fire box inner lining: white smooth chamotte
- High-grade cast-iron dome, all parts can be moved, adjustable between 0 – 90°
- Overall height can be simply and quickly adjusted
- Easy to dismantle for transport



Lina 120 with guillotine front side and hinged rear side

Technical data

• Nominal heat output	10 kW
• Thermal output range	4,9 – 10,6 kW
• Efficiency	>80 %
• Insulation thickness (with wall that does not need to be protected) (based on SILCA® 250KM)	60 mm
• Combustion air connector	Ø 150 mm
• Recommend length of logs	33 cm
• Weight	340 – 400 kg
• Heat distribution through the viewing window	70 %
• Heat distribution, convective output	30 %

Data for chimney sweep according to DIN EN 13384
(Closed operation)

Triple values with nominal heat output

• Flue gas mass flow	7,9 g/s
• Flue gas temperature	365 °C
• Required delivery pressure	12 Pa

Triple values for calculating ceramic flues (wood fuel)

• Firing power	–
• Flue gas mass flow	–
• Flue gas temperature upstream of the connecting surface	–
• Required delivery pressure at the flue gas connector	–
• Combustion air requirement	–
• Recommended flue length ¹	3,5 m

Data for closed design

• Minimum heat-emitting surface ²	2,4 m ²
--	--------------------

¹The information regarding flue lengths is a recommendation and based on the calculation in accordance with TRD 2022 chapter 15. The calculation is based on a medium-heavy design and a flue ratio of 360 cm².

²Average value based on the storage time. Dependent on the material properties and the construction thickness. Mean specific heat distribution = approx. 500 W/m²

There may be modifications to the colour and technical details caused by ongoing developments; subject to errors and omissions. Dated: 01/2024

Standard



Tunnel version



Kristall front



Guillotine door (rear side hinged door on left)



Guillotine door (rear side hinged door on right)

Optional



Double glazing



150 mm
Combustion air connector

Accessories



SMR



Energy efficiency class in accordance with (EU) 2015/1186



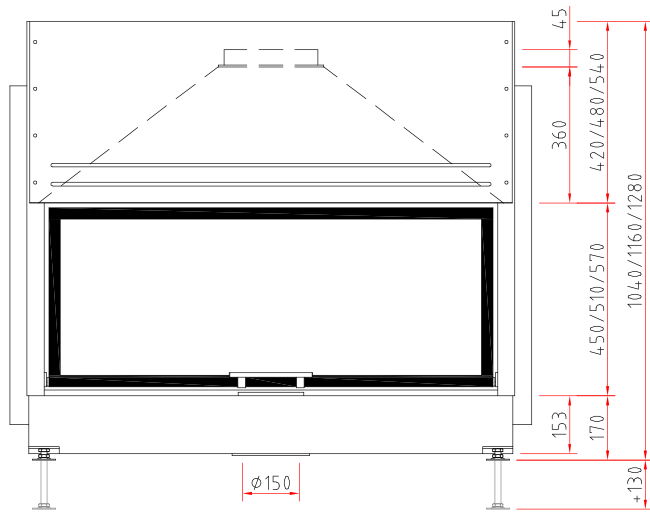
1. Federal Emissions Control Ordinance Stage 2



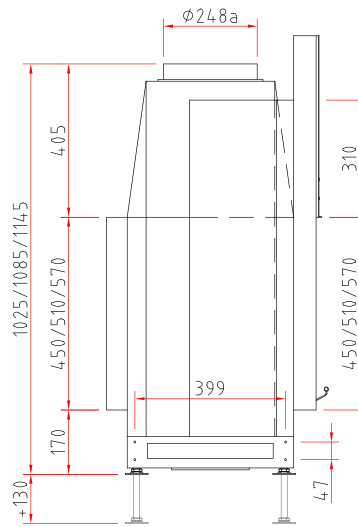
Lina TV 120 h/s

Dimensional drawing

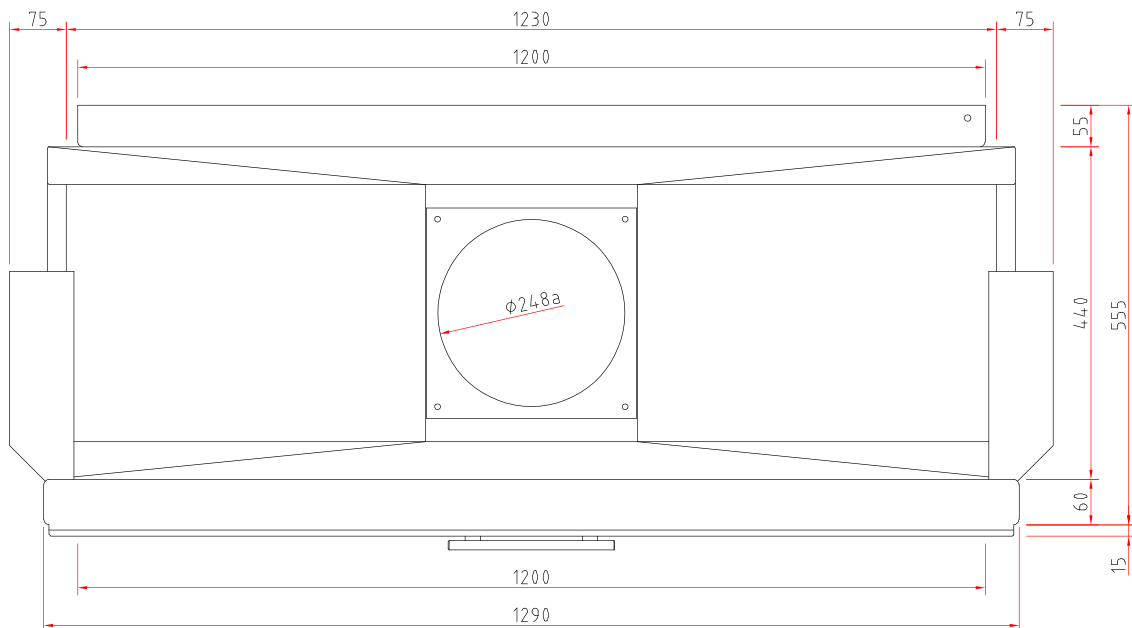
Front view, scale 1:20



Side view, scale 1:20



Top view, scale 1:10



Product data sheet

Regulation (EU) 2015/1186 supplementing Directive 2010/30/EU

	Lina 120 h, Lina TV 120 h
Supplier's name:	Camina & Schmid Feuerdesign und Technik GmbH & Co. KG
Supplier's model identifier:	Lina 120 h, Lina TV 120 h
Energy efficiency class:	A
Direct heat output (kW)	10,0
Indirect heat output (kW):	–
Energy efficiency index (EEI):	106,6
Energy efficiency at nominal heat output (%):	80,4
Notes for specific precautions, installation or maintenance:	Please note the reference in the assembly instructions and operating manuals!

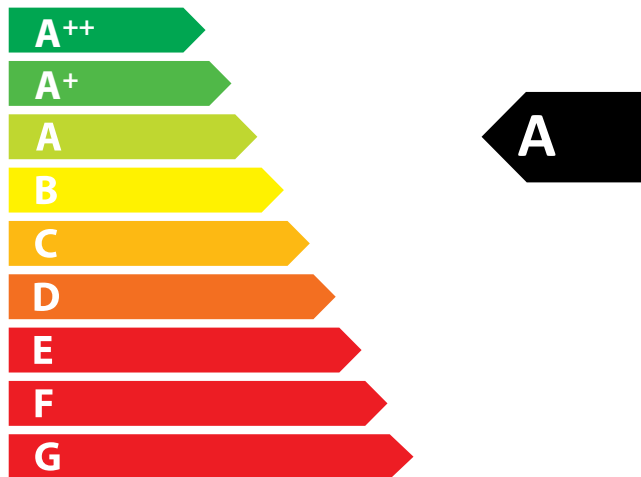
There may be modifications to technical details caused by ongoing developments; subject to errors and omissions. Dated: 11/2021



ENERG
енергия · ενέργεια



Camina  Schmid Lina 120 h, Lina TV 120 h



10,0
kW

ENERGIA · ЕНЕРГИЯ · ΕΝΕΡΓΕΙΑ · ENERGIJA · ENERGY · ENERGIE · ENERGI

2015/1186