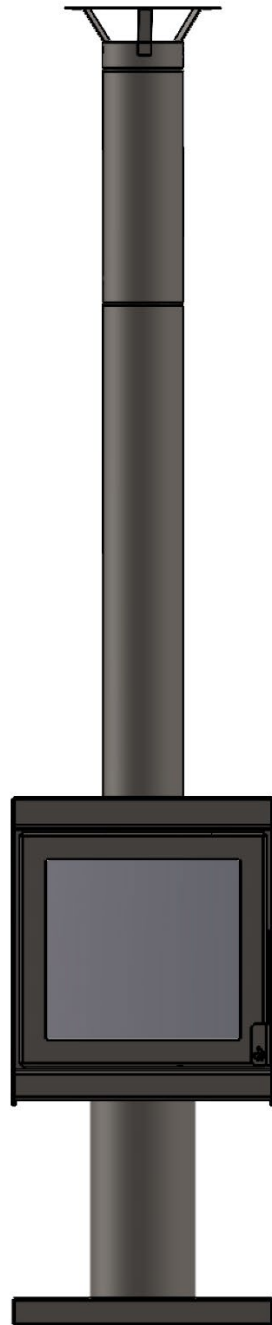


FIREBLOOM

FRESCO OUTDOOR WOOD BURNING STOVE



USER ASSEMBLY AND INSTRUCTION GUIDE

CONTENTS

- 1** Safety Information
- 2** Components
- 3** Product Dimensions
- 4** Assembly and Location
- 5** Operation and Lighting
- 6** Environmental Considerations
- 7** Care, Maintenance & Storage
- 8** Product Support and Warranty Information

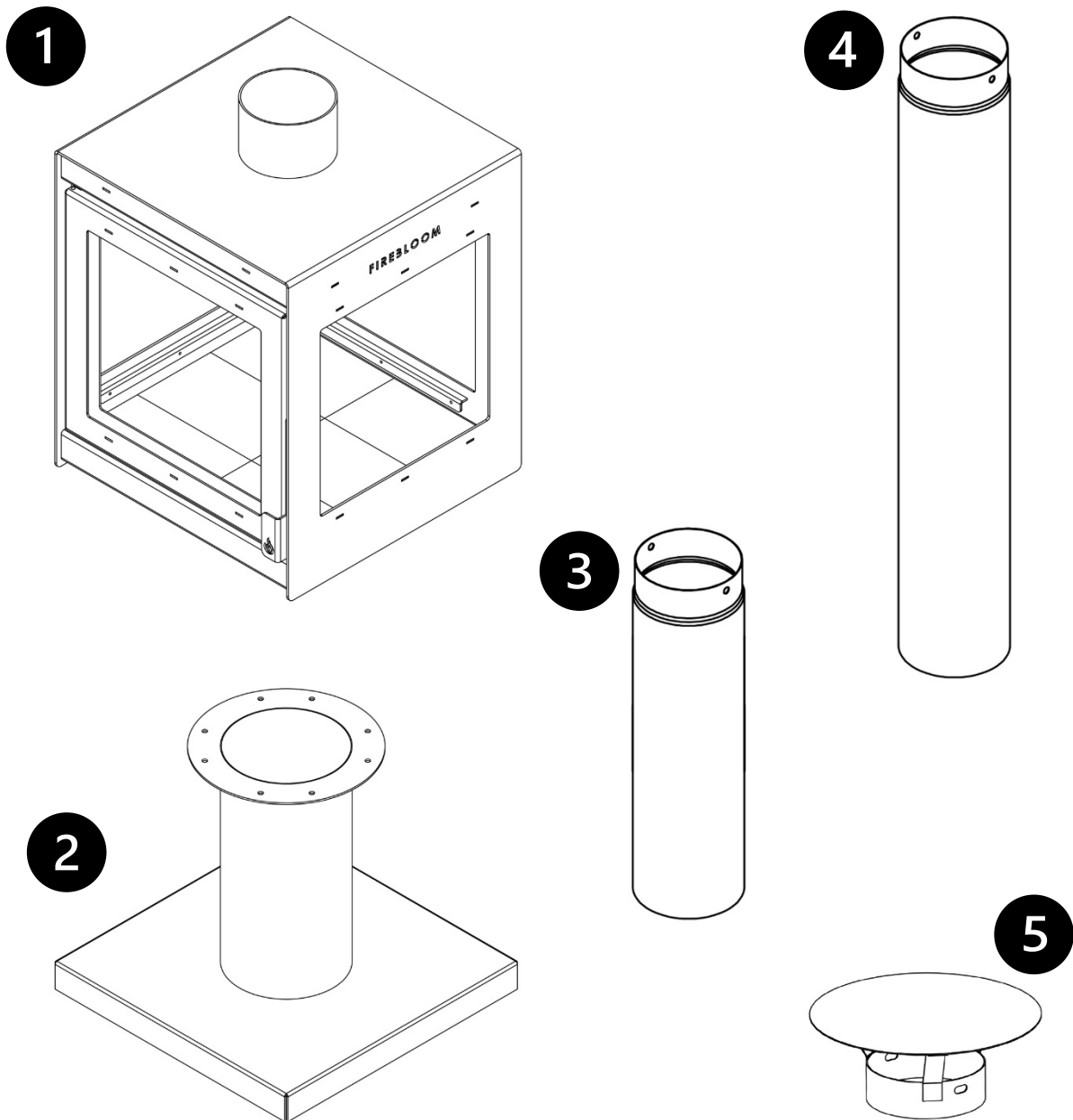
1 SAFETY INFORMATION



Important - Please read these instructions fully before assembly, locating the appliance or operating

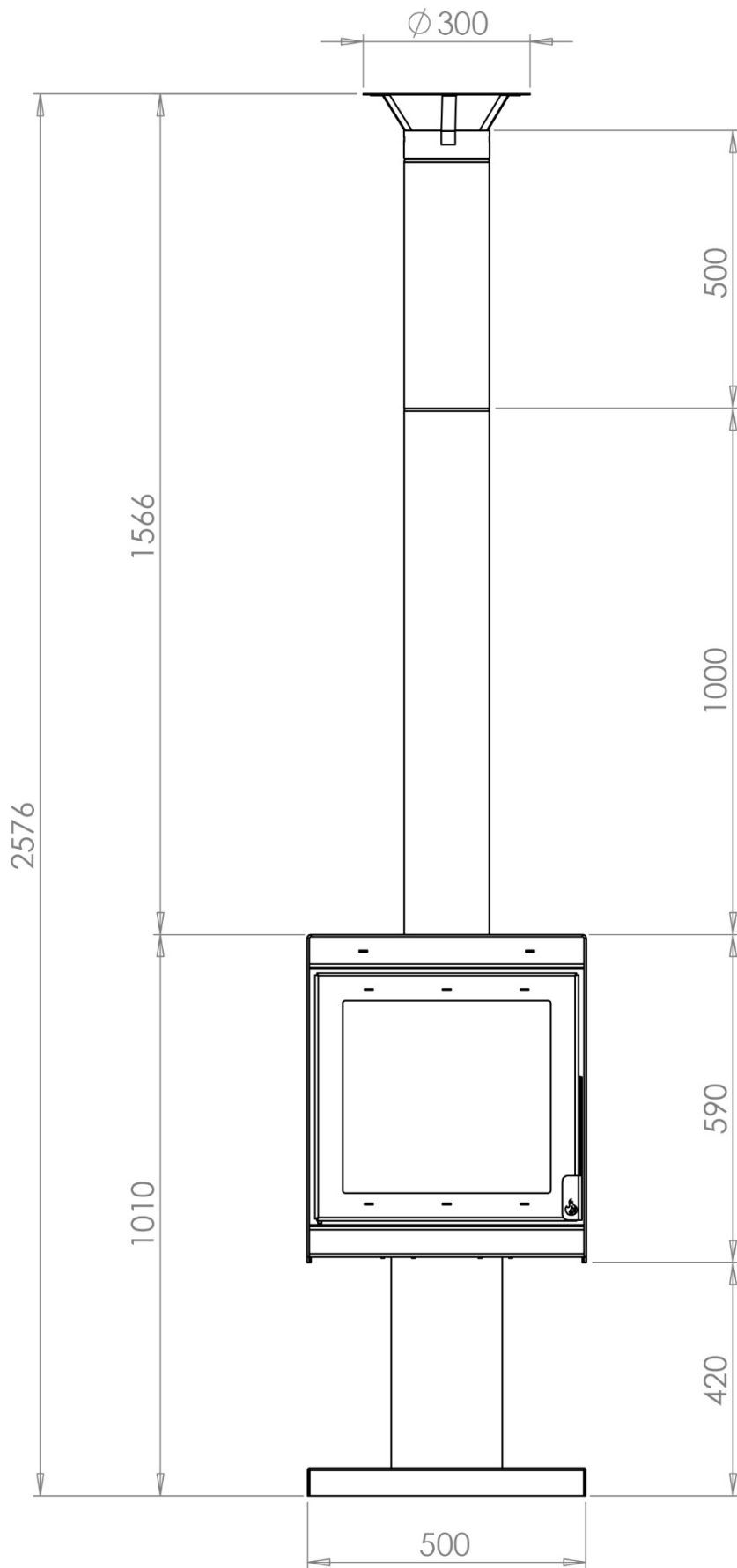
1. This stove is intended only for outdoor use only and must **not** be used indoors or any enclosed area (such as houses, tents, caravans, motor homes or boats but not limited to).
2. The flue/chimney system must always terminate in free air and not within an enclosed space, failure to do so may result in carbon monoxide poisoning .
3. All purpose-built structures must have at least two open openings for ventilation .
4. Do **not** use this stove on artificial grass or other combustible surfaces that are not suitably rated.
5. This stove **must** be installed on a secure firm, level base before use, and never used without the pedestal.
6. This stove is intended for domestic outdoor use only. Commercial use is prohibited.
7. Do **not** use this stove on wooden or composite decking or any other combustible surfaces such as dry grass, wood chips, leaves or decorative bark.
8. The minimum clearances to fence panels, garden furniture, pergolas, arbours, and gazebos is 1.5m. Permanent structures and roof penetrations should conform to building regulations.
9. Take care as hot embers may be emitted from this appliance during refuelling periods.
10. Burn **only** seasoned or kiln dried hardwood logs with a moisture content less than 20%.
11. Burning painted, stained or pressure treated wood, plywood, cardboard, paper, coal, charcoal (briquets or lump), leaves or rubbish can damage the product and impair its safe use.
12. Do **not** overload the stove with fuel as this could damage the appliance and flue/chimney system, and impair its safe use.
13. Do **not** use any flammable liquids to light the fuel bed, including alcohol, lighter fluid, petrol, diesel, oil but not limited to.
14. This appliance will become very hot in use. All surfaces are to be considered very hot.
15. Always use heat resistant gloves, tested to EN 407, when opening the door or refuelling.
16. Keep children and pets away while in use.
17. The appliance must only be used for its sole purpose, it must not be used as a cooking appliance either internally or externally or as a furnace or third-party heating unit.
18. Do not cover the stove until it is cooled sufficiently, and always consult the manufacturers cover instructions for suitability.
19. Do **not** use or store or locate gas bottles, wood fuel or flammable liquids near the stove when in use.

2 COMPONENTS



1	STOVE BODY
2	PEDESTAL
3	0.5m FLUE PIPE
4	1m FLUE PIPE
5	COWL
6 (NOT SHOWN)	M6 LOCKING NUT (QTY:8)
7 (NOT SHOWN)	M6X25mm HEXAGONAL BLACK BOLT (QTY:2)
8 (NOT SHOWN)	18mm BLACK WASHER (QTY: 2)
9 (NOT SHOWN)	M6 BLACK NUT (QTY: 2)

3 PRODUCT DIMENSIONS



4 ASSEMBLY & LOCATION

WARNING: The stove is heavy, and it may require more than two persons to assemble.

Place the appliance in a well ventilated open area on a sturdy platform that is free from low overhanging branches. Ensure there is adequate space to walk past the appliance without risk of being burnt.

Placing the appliance on a purpose-built platform, paving slabs, or concrete are all good options.

Clear the immediate area of any dry, flammable, or combustible items.

Always protect the grass, trees, leaves, and environment around you.

If installing under any roof, pergolas, arbours or gazebos always consider the height clearance to combustible materials.

Never place next to dog kennels, hutches or other structures that house pets.

Avoid proximity to rotary washing lines and washing lines that may span across the area.

Note: There are four levelling feet under the base of the pedestal to allow fine adjustment on uneven ground. It is advised to make any levelling adjustments prior to full assembly of the pedestal and stove body.

Step 1

Carefully lift the **stove body** onto the **pedestal**, ensuring that the 8 bolts on the underside of the stove body are correctly inserted into the 8 holes around the rim of the pedestal. Then take the 8 **M6 locking nuts** and screw them tightly to the bolts.

Step 2

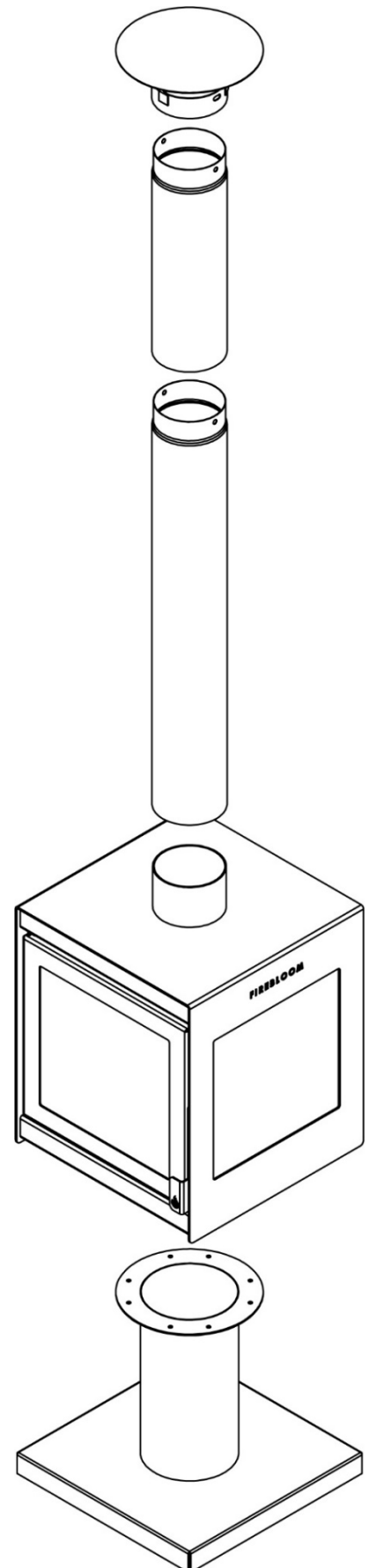
Place the **cowl** on top of the **0.5m flue pipe** and align the holes on both components. Using the **M6x25mm hexagonal black bolts**, **18mm Black washers** and **M6 black nuts**, secure the cowl to the pipe.

Step 3

Place the **0.5m flue pipe** and **cowl** on top of the **1m flue pipe**.

Step 4

Place the assembled flue (1m flue pipe + 0.5m flue pipe + cowl) onto the spigot on the top of the stove.



5 OPERATION & LIGHTING

WARNING: Before using this stove, please ensure that you have read and fully understand all the information provided in this manual. Failure to follow the instructions contained within may result in a serious injury occurring, death or damage to property. Do not use under the influence of alcohol or other substances which may impair the user's ability to operate the stove.

IMPORTANT! In order to correctly cure the high temperature coating used on this product you **MUST** begin with a series of **SMALL FIRES**, gradually building up to larger fires. Failure to do so may result in paint peeling or discolouration.

Lighting the Stove

Open the door by lifting the handle upwards.

Using the top-down method, create a stack of logs by placing two logs parallel to each other, then place two further logs on top at a 90-degree angle to those below. Then create a lattice of kindling on top of the logs. Finish by adding a fire lighter or two then use a long match to ignite the firelighter.

To help establish a good fire, leave the door slightly ajar (approximately a half inch) to allow an advantageous flow of air to aid combustion. After a few minutes the door can be closed using a heat resistant glove.

If the fire doesn't fully establish, try leaving the door ajar for a longer period until the fire looks fully established.



Reloading the Stove

When the fuel load is spent there should be a bed of glowing embers remaining. This is the time to slowly open the door using a heat resistant glove and carefully add more wood logs.

IMPORTANT! Do not overload the stove.

Extinguishing the Stove

Allow the fire to self-extinguish by fully burning its fuel.

WARNING: Do not use water to extinguish the fire.

6 ENVIROMENTAL CONSIDERATIONS

It is important when using the Fresco stove that you use dry firewood only, as documented within these instructions. The firewood moisture content must be checked, and the method should involve the use of a moisture meter. The moisture content must not exceed 20% and not lower than 12%. If the wood is under 12% moisture, cost efficiency may be impacted as a result of faster burning fuel. Further to this, the Fresco stove performance and output may become severely impaired, becoming detrimental to the environment and air quality, and consequently may also lead to components needing to be replaced more frequently. Percy Doughty has long recognised the importance of working together for a cleaner safer environment, therefore it is critical that we transform our behaviour to achieve a greater reduction in our emissions.

7 CARE, MAINTENANCE & STORAGE

Do not attempt any cleaning until the fire is fully extinguished and cool to touch.

Do not use oven cleaner or other abrasive cleaners. This will damage the stove.

Use a soft brush to regularly clean the stove body. Any stains or marks may be removed using a lightly damp cloth, but must be dried immediately after.

Any ash or unspent fuel can be removed from the stove using a small dustpan and brush.

The glass can be cleaned using a lightly damp cloth and dried with a clean cloth or towel. Ensure that any liquid deposited inside the stove is dried immediately and a suitable glass cleaner is used.

As this product is made from steel, the surface will age and develop surface rust over time once it is exposed to natural weather elements. This is to be expected and does not constitute a product fault.

If the stove is left outside temporarily, a suitable cover must be used, once it has cooled completely (the flue may need to be disconnected and stored or covered separately).

For long term storage the stove must be stored in an environment that is free from frost, rain, and excessive moisture.

Do not attempt to move the stove until the fire is fully extinguished and cool to touch.

The stove is very heavy and will require 2 persons to move.

Do not use or store any liquids near the stove when not in use.

8 PRODUCT SUPPORT AND WARRANTY INFORMATION

Warranty Exclusions and Limitations

No warranty is extended to consumable serviceable parts or the repair or replacement of such parts, which are subject to normal wear and tear during the warranty period. Parts that will require replacement in connection with normal annual and ongoing maintenance will include but are not limited to, glass, firebricks, log retainers (certain models), baffles and are not covered under the terms and conditions of the warranty.

The Firebloom Warranty does not cover:

- During normal operation, the paint finish of your Firebloom stove may change colour slightly. The paint finish on the Fresco body and chimney system may also require touching up or repainting from time to time. These circumstances are considered normal, and as such are not covered with the terms and conditions of the warranty.
- Damage resulting from the incorrect assembly in terms of supporting the appliance, the appliance not sited correctly and not operated correctly in accordance with the Firebloom installation and operation instructions.
- Consumable items: glass, and vermiculite brick lining.
- Modifications of the appliance, negligence, abuse, and improper care of the appliance.
- Damage or corrosion caused by specific local conditions, this may include the location of a coastal environment, extreme weather conditions, flooding, garden debris, chemical damage caused by pesticides, insecticides or other commercial use.
- Damage or faults caused by lack of appropriate maintenance as deemed by Firebloom.
- Damage or premature wear caused by burning inappropriate fuels such as pallet wood, painted / varnished wood or any other unnatural contaminant, coal, anthracite, or any other petroleum-based coals but not limited to.
- Damage caused by burning wood with high moisture content above 20%.
- Damage caused by unauthorised modifications, use or repair.
- Consequential loss (to the extent permitted by law) relating to other associated products that have not been supplied by Firebloom.
- Consequential loss (to the extent permitted by law) related to garden furnishings and boundary fencing/decorative structures, composite & wooden decking, including pergolas and parasols.
- Removal and re siting the appliance costs, by the end user or third party.
- Damage caused by transportation.
- Damaged caused by using the appliance to cook on or to heat liquids.
- Damage caused by sporting activities or water games.
- Damage caused by melting plastics, paints, or coverings or other during storage.
- Damage caused by attempting to modify the appliance by suspension or other methods not approved by Firebloom.
- The coverage does not extend to scratches, rusting, dents, chips, grazing, flaking of paint, appearances or minor cosmetic cracks of the exterior glaze that do not affect the performance of the Firebloom product.
- Reasonable wear and tear, as deemed by Firebloom.
- Please see the full details on our website: www.firebloomoutdoor.co.uk

FIREBLOOM

Brought to you by

 PERCYDOUGHTY

Imperial Point, Express Trading Estate, Stone Hill Road,
Farnworth, Bolton. BL4 9TN
01204 868 550

www.firebloomoutdoor.co.uk